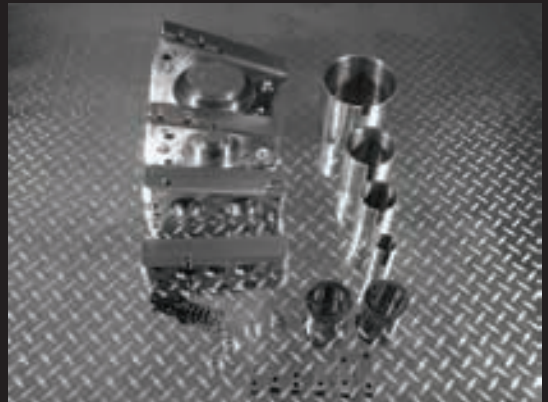


Superior Solutions for Sheet Metal Fabricators

REPLACEMENT PARTS FOR AMADA MACHINERY



2015
US\$

WORLDWIDE HEADQUARTERS:

1295 Lund Boulevard, Anoka, Minnesota 55303 USA
Tel +1.763.421.0230 Fax +1.763.421.0285
U.S. Toll Free: Tel 800.328.4492 Fax 800.541.0285
mate.com

MATE[®]
M
**PRECISION
TOOLING**
TRUSTED | QUALITY | SERVICE | SOLUTIONS

REPLACEMENT PARTS FOR AMADA MACHINERY

Mate Precision Tooling is the leading manufacturer of original and replacement tooling for Amada, Euromac, Finn-Power, LVD, Murata Wiedemann, Salvagnini, Stripit, Nisshinbo, Trumpf and other punch press machines, along with press brake tooling. Mate Laser Technologies serves the CO2 and fiber laser market with premium quality optics and nozzles.

Mate has been there from the beginning with products, service and solutions.

For the past five decades, Mate has led the tooling industry in quality, price, delivery and service. This dedication and expertise result in products that are long lasting, reliable and productive.

Mate's products and services are aimed at just one thing: helping customers manufacture sheet metal parts as productively and efficiently as possible. In fact, all Mate products are 100% unconditionally customer satisfaction guaranteed.

As part of our commitment to meeting the needs of the Amada punch press user, Mate has partnered with Alternative Parts Inc. to offer a comprehensive range of replacement parts for Amada machines.



Headquartered in Anoka, Minnesota, in a 300,000 sq. ft. (28,000m²) state-of-the-art facility.

Phone: 800.328.4492 763.421.0230

Fax: 800.541.0285 763.421.0285

Order Online: matelaser.com

Email: orders@mate.com

Web: mate.com



Alternative Parts & Service

Your Original AMADA Alternative For Quality Replacement Parts & Service

Alternative Parts, Inc. is the manufacturer and distributor of replacement parts for Amada Machinery.

The company was founded to provide you with another source of obtaining parts for your equipment. Since inception, they have committed themselves to serving a growing customer base with the best quality parts at competitive prices. Their complete product line has been designed and manufactured to original OEM specifications. Without substituting quality, prices reflect a superior value equaling cost savings of 30% to 75%.

Within the contents of this catalog, you have a means of prolonging the life of your machine. Proper periodic maintenance coupled with the correct timing of replacing wearable parts is the combination needed to secure longevity for your equipment. For more information on Alternative Parts Inc. Call 888.882.6001 or visit www.altparts.com.



[Dimensions in Inches (mm)]

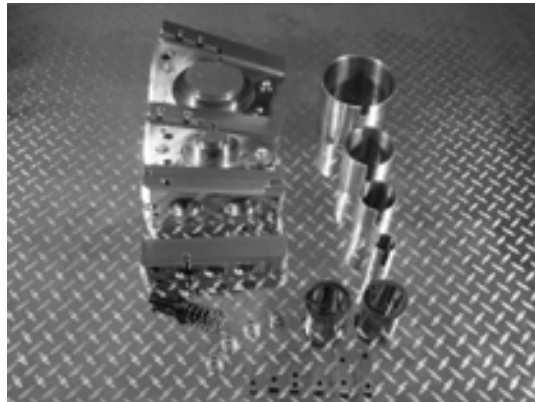
TABLE OF CONTENTS

WORKHOLDER CLAMPS

New Style Clamp - Pneumatic Pega, Vipros, Aries 245, Laser and All Pneumatic Conversions	4-5
Pega Original Style Clamp - Pneumatic	6-7
Octo Clamp	8-9
Aries 222, 224 Clamp	10-11
Lyra, Coma, Vela - Thin Clamp - Pneumatic	12-13
Vela, Coma - Thick Clamp - Pneumatic	14-15
External Cylinder Clamp - Hydraulic	16-17
Coma - Original Style Clamp - Hydraulic	18-19
Coma - Thick Clamp - Hydraulic	20-21
Coma, Vela, Lyra, Pega - Stubby	22-23
Laser Clamp - Apelio and Pulsar, 10mm	24-25
Laser Clamp - Apelio and Pulsar, 13mm	26-27
Em Style Pneumatic A0100 CA	28-29
New Style Hydraulic - A0107-INT	30-31
Laser Stealth - Pneumatic 13mm	32-33
AC/AE Pneumatic Clamp	34-35

TURRET

Guide Keys - Die Keys - Lifter Springs - Guide Bushings - Shoulder Bolts	36-37
Die Holders and Hardware Part Numbers	38-39

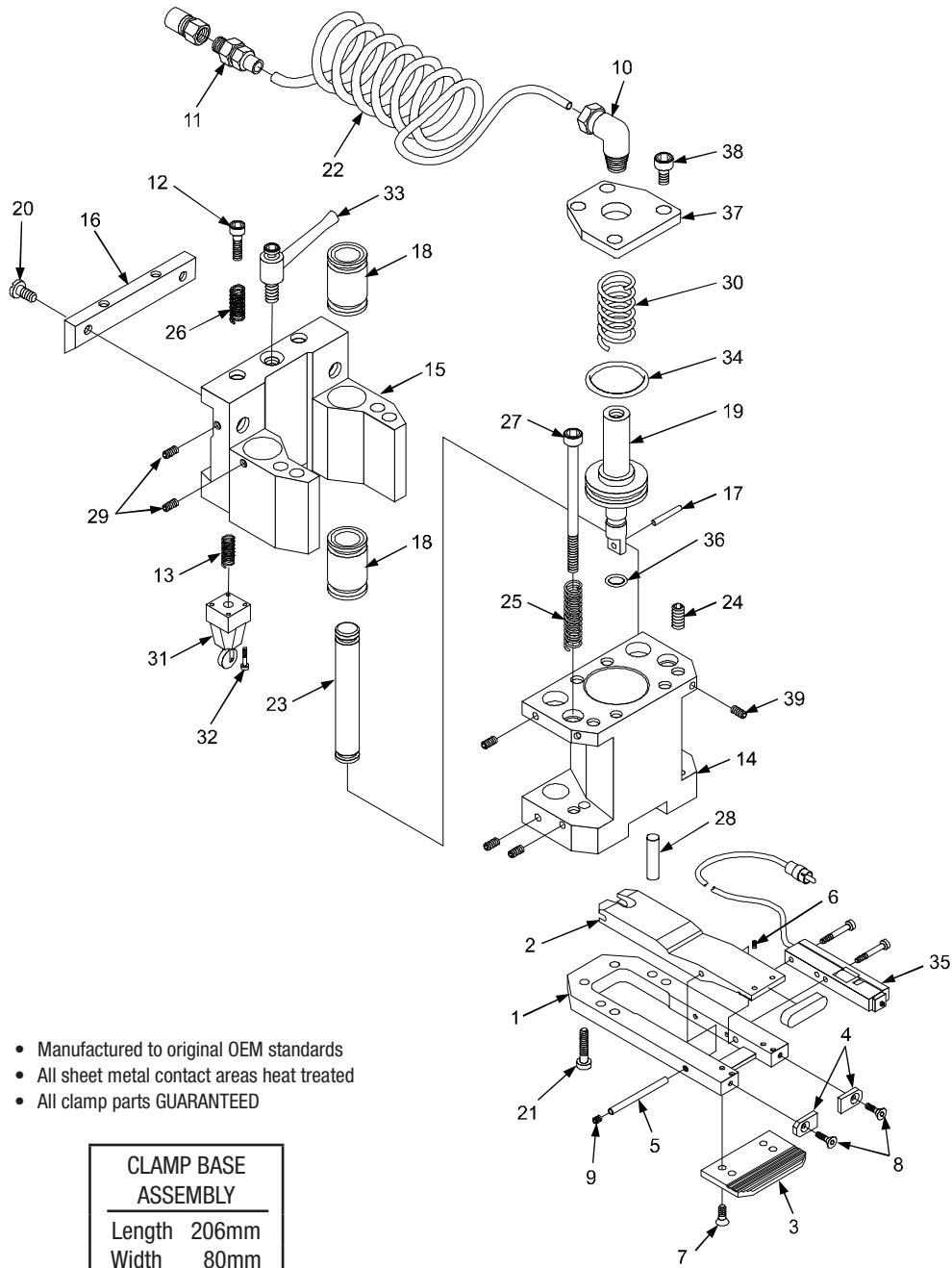


[Dimensions in Inches (mm)]



NEW STYLE CLAMP – PNEUMATIC PEGA, VIPROS*, ARIES 245, LASER AND ALL PNEUMATIC CONVERSIONS

FOR MACHINES UP TO 0.250(6.35mm)



- Manufactured to original OEM standards
- All sheet metal contact areas heat treated
- All clamp parts GUARANTEED

CLAMP BASE ASSEMBLY	
Length	206mm
Width	80mm
Height	14mm

*Not available for OEM assembly



[Dimensions in Inches (mm)]

NEW STYLE CLAMP – PNEUMATIC PEGA, VIPROS*, ARIES 245, LASER AND ALL PNEUMATIC CONVERSIONS

FOR MACHINES UP TO 0.250(6.35mm)

5

NEW STYLE CLAMP

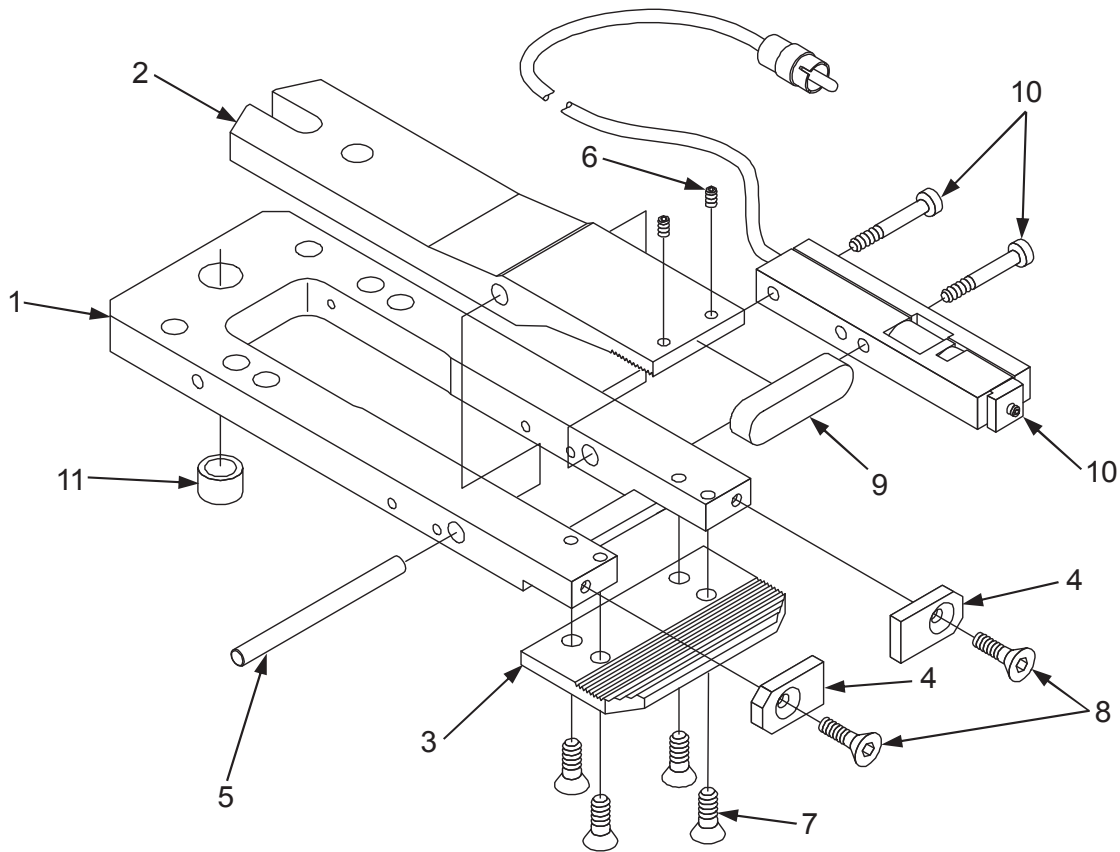
API Drawing #	Mate Part #	API Part #	Amada Drawing #	Description	Price
1	MATE00159	A0301-B	826189	Clamp Base	\$146.00
2	MATE00158	A0401-CL	826182	Clamper	\$106.00
3	MATE00161	A0501-CP	816025/826235	Clamp Plate	\$24.50
4	MATE00160	A0601-SP	816026	Stopper Plate	\$9.50
5	MATE00237	A0794	M6X60	Straight Pin	\$1.50
1 TO 34	MATE00156	A0101-CA	826180	Complete Clamp Assembly	\$1,149.00
1 TO 9	MATE00157	A0201-CBA	826189	Clamp Base Assembly	\$269.00
6	MATE00240	A0830	M5x6	Screw - M5x6 - 10 pcs - (Clamper Tip)	\$3.00
7	MATE00241	A0831	M5x12	Screw - M5x12 - 10 pcs - (Clamp Plate)	\$3.00
8	MATE00242	A0832	M4x10	Screw - M4x10 - 10 pcs - (Stopper Plate)	\$3.00
9	MATE00776	A0835	N/A	Set Screw - M8x8	\$0.40
10	MATE00777	A4155	KQL06-02S	Elbow	\$5.75
11	MATE00778	A4123	KQH06-02S	Connector	\$6.90
12	MATE00779	A0887	P338135015	Shoulder Bolt	\$3.00
13	MATE00780	A0891	N/A	Spring	\$3.00
14	MATE00812	A0874*	N/A	Clamp Body - Piston Side	\$499.00
15	MATE00813	A0879*	N/A	Clamp Body - Dove Tail Side	\$499.00
16	MATE00783	A0881	816004	Dove Tail Plate	\$44.00
17	MATE00784	A0882	P337020028	Pin	\$1.00
18	MATE00814	A0862*	N/A	Linear Bearing	\$24.99
19	MATE00805	A0620	826184	Piston	\$375.00
20	MATE00787	A0875	816005	Bolt	\$9.90
21	MATE00788	A0895	N/A	Bolt - M8x25	\$1.00
22	MATE00789	A0876	N/A	Coil Tubing	\$15.00
23	MATE00815	A0898*	N/A	Rod	\$18.00
24	MATE00791	A0831B	P330570059	Set Screw - M6X8	\$0.50
25	MATE00817	A0877	826218	Spring	\$5.00
26	MATE00793	A0888	816006	Spring	\$3.00
27	MATE00718	A0839	P330223019	Bolt (pkg of 10)	\$7.90
28	MATE00795	A0966	N/A	Pin	\$3.00
29	MATE00796	A0889	N/A	Set Screw - M6x6 - (pkg of 10)	\$3.00
30	MATE00818	A0846	74161330	Spring	\$19.00
31	MATE00797	A0871	6WPH200-1	Head	\$41.00
32	MATE00798	A0890	N/A	Bolt - 10 pcs	\$3.00
33	MATE00239	A0812	KR12x20	Clamp Lever (Steel) 12mm	\$29.00
34	MATE00819	A9234	P50A	O-Ring P50A	\$1.50
35	MATE00247	A0855A	8635270D	Sheet Sensor (for Auto Loader)	\$165.00
36	MATE00820	A9220	P-12/P590000012	O-Ring P12	\$0.75
37	MATE00821	A0878	74335901/0826188	Cylinder Cap	\$150.00
38	MATE00822	A0839q	N/A	M6x16 Cap Head Bolt (pkg of 10)	\$7.90
39	MATE00823	A0825	N/A	M4x6 Cone Point Set Screw (pkg of 10)	\$3.00
N/A	MATE00800	A0803	20SM	Coupler-Female (quick connect)	\$11.90
N/A	MATE00801	A0804	20PF (¼")	Coupler-Male (quick connect)	\$4.90
N/A	MATE00238	A0811	KR10x20	Clamp Lever (Steel) 10mm	\$29.00
N/A	MATE00243	A0840	N/A	Shims .010" - 10 pcs	\$16.00
N/A	MATE00244	A0841	N/A	Shims .003" - 10 pcs	\$16.00
N/A	MATE00245	A0842	N/A	Shims .005" - 10 pcs	\$16.00
N/A	MATE00802	A0844	6048241	Override Block - Vipros	\$259.00
N/A	MATE00803	A0845	74161389	Override Plunger Assembly - Vipros 255	\$99.00

*Not available for OEM assembly



[Dimensions in Inches (mm)]

PEGA ORIGINAL STYLE CLAMP – PNEUMATIC



- Manufactured to original OEM standards
- All sheet metal contact areas heat treated
- All clamp parts GUARANTEED

CLAMP BASE ASSEMBLY	
Length	216mm
Width	80mm
Height	14mm



[Dimensions in Inches (mm)]

PEGA ORIGINAL STYLE CLAMP – PNEUMATIC

7

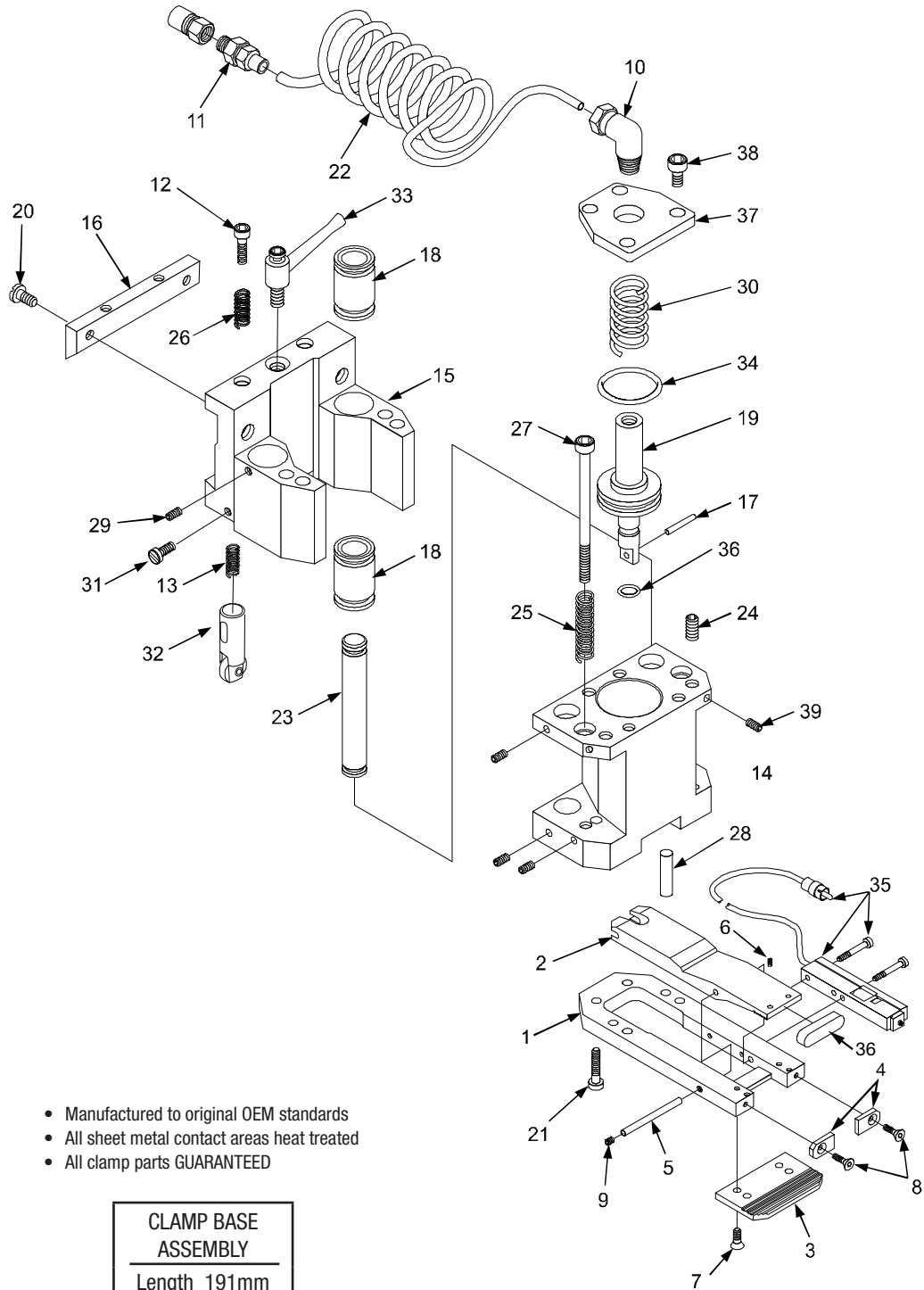
PEGA ORIGINAL STYLE CLAMP – PNEUMATIC

API Drawing #	Mate Part #	API Part #	Amada Drawing #	Description	Price
1 TO 8	MATE00231	A0202-CBA	816032	Clamp Base Assembly	\$269.00
1	MATE00232	A0302-B	816032	Clamp Base	\$140.00
2	MATE00233	A0402-CL	816028	Clamper	\$104.00
3	MATE00161	A0501-CP	816025	Clamp Plate	\$24.50
4	MATE00160	A0601-SP	816026	Stopper Plate	\$9.50
5	MATE00808	A0795	M6x80	Straight Pin	\$1.50
6	MATE00240	A0830	M5x6	Screw - M5x6 - 10 pcs -(Clamper Tip)	\$3.00
7	MATE00241	A0831	M5x12	Screw - M5x12 -10 pcs -(Clamp Plate)	\$3.00
8	MATE00242	A0832	M4x10	Screw - M4x10 -10 pcs -(Stopper Plate)	\$3.00
9	MATE00246	A0850	N/A	Urethane Boot (for Clamper Tip)	\$25.00
10	MATE00809	A0853	8635270D	Sheet Sensor (for Auto Loader)	\$165.00
11	MATE00810	A0843	N/A	Bushing	\$16.00
N/A	MATE00800	A0803	20SM	Coupler-Female	\$11.90
N/A	MATE00801	A0804	20SF (1/4")	Coupler-Male	\$4.90
N/A	MATE00234	A0811	KR10x20	Clamp Lever (Steel) 10mm	\$29.00
N/A	MATE00239	A0812	KR12x20	Clamp Lever (Steel) 12mm	\$29.00
N/A	MATE00243	A0840	N/A	Shims .010" - 10 pcs	\$16.00
N/A	MATE00244	A0841	N/A	Shims .003" - 10 pcs	\$16.00
N/A	MATE00245	A0842	N/A	Shims .005" - 10 pcs	\$16.00
N/A	MATE00797	A0871	6WPH200-1	Head	\$41.00
N/A	MATE00811	A4111	6x4	Vinyl Tubing 6x4mm/foot	\$1.49
N/A	MATE00777	A4155	KQL06-02S	Elbow	\$5.75

[Dimensions in Inches (mm)]



OCTO CLAMP



- Manufactured to original OEM standards
- All sheet metal contact areas heat treated
- All clamp parts GUARANTEED

CLAMP BASE ASSEMBLY	
Length	191mm
Width	80mm
Height	14mm



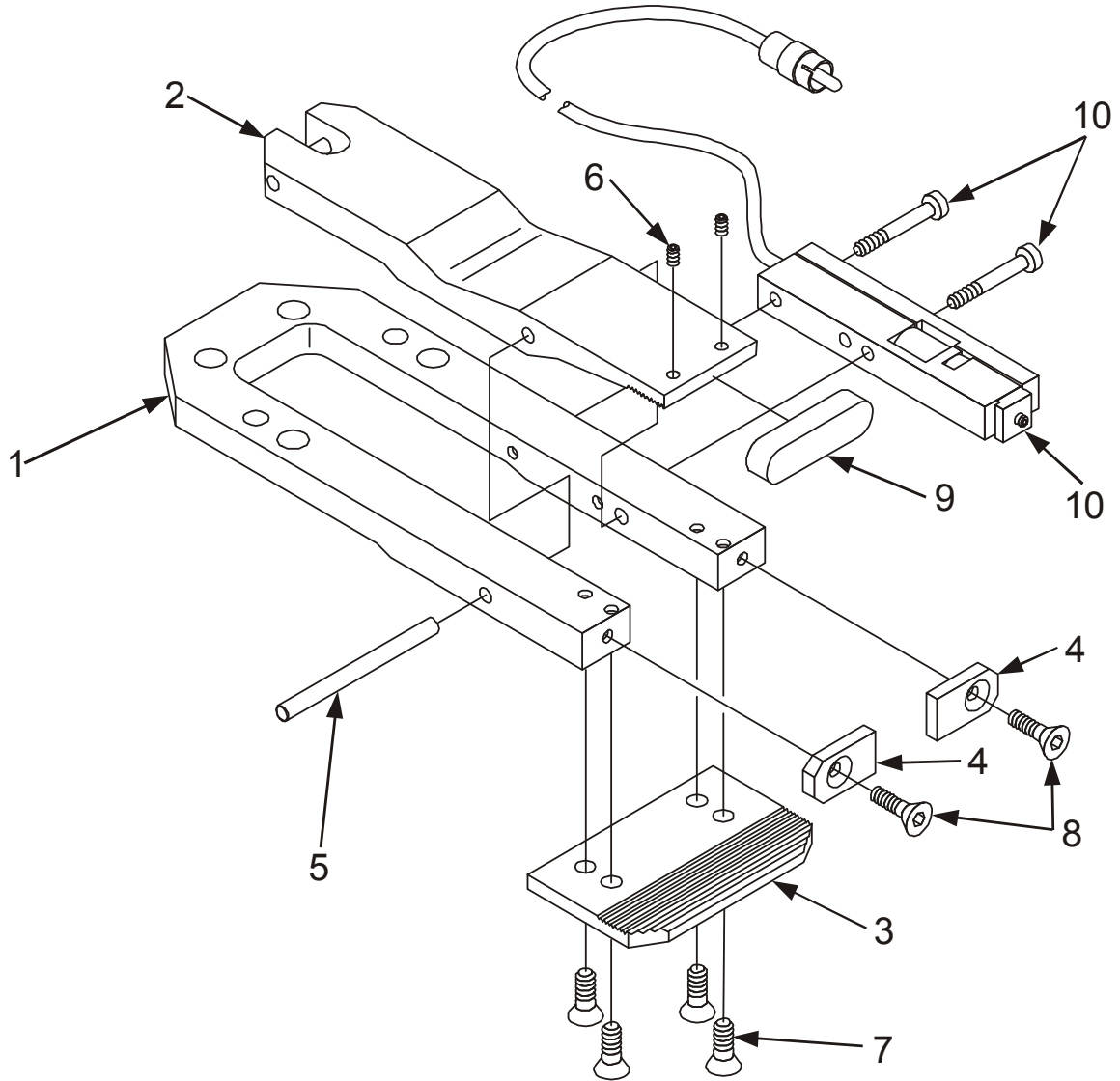
[Dimensions in Inches (mm)]

API Drawing #	Mate Part #	API Part #	Amada Drawing #	Description	Price
1 TO 39		A0103-CA	6010220	Complete Clamp Assembly	\$1,299.00
1 TO 8		A0203-CBA	5033643	Clamp Base Assembly	\$269.00
N/A		A0203-CBAS	N/A	Clamp Base Assembly (accepts 3/8" material)	\$269.00
1		A0303-B	5033643	Clamp Base	\$141.00
2		A0403-CL	5033644	Clamper	\$100.00
3	MATE00161	A0501-CP	816025	Clamp Plate	\$24.50
4	MATE00160	A0601-SP	816026	Stopper Plate	\$9.50
5	MATE00237	A0794	M6X60	Straight Pin	\$1.50
6	MATE00948	A0830	M5x6	Screw - M5x6 - 10 pcs (Clamper Tip)	\$3.00
7	MATE00241	A0831	M5x12	Screw - M5x12 - 10 pcs (Clamp Plate)	\$3.00
8	MATE00242	A0832	M4x10	Screw - M4x10 - 10 pcs (Stopper Plate)	\$3.00
9	MATE00776	A0835	N/A	Set Screw M8xM8	\$0.40
10	MATE00777	A4155	KQL06-02S	Elbow	\$5.75
11	MATE00778	A4123	KQH06-02S	Connector	\$6.90
12	MATE00779	A0887	P338135015	Shoulder Bolt	\$3.00
13	MATE00780	A0891	N/A	Spring	\$3.00
14		A0824	N/A	Clamp Body - Piston Side	\$499.00
15		A0823	N/A	Clamp Body - Dove Tail Side	\$499.00
16	MATE00783	A0881	816004	Dove Tail Plate	\$44.00
17	MATE00784	A0882	P337020028	Pin	\$1.00
18	MATE00814	A0862	N/A	Linear Bearing	\$24.99
19		A0621	N/A	Piston	\$375.00
20	MATE00787	A0875	816005	Bolt	\$9.90
21	MATE00788	A0895	N/A	Bolt - M8x25	\$1.00
22	MATE00789	A0876	N/A	Coil Tubing	\$15.00
23	MATE00815	A0898	N/A	Rod	\$18.00
24		A0848	N/A	Set Screw - M10x12	\$0.45
25	MATE00792	A0886	N/A	Spring	\$3.00
26	MATE00793	A0888	816006	Spring	\$3.00
27	MATE00794	A0884	N/A	Bolt	\$1.00
28		A0966	N/A	Pin	\$3.00
29	MATE00796	A0889	N/A	Set Screw - M6x6 - 10 pcs	\$3.00
30	MATE00818	A0846	74161330/0806005	Cylinder Spring	\$19.00
31		A0859C	N/A	Set Bolt	\$3.00
32		A0859	74161389	Plunger Assembly	\$79.00
33		A0839d	N/A	Socket Cap Screw - 10 pcs	\$7.90
34		A9234	N/A	O-Ring P50A	\$1.50
35	MATE00247	A0855A	8635270D	Sheet Sensor (for Auto Loader)	\$165.00
36		A0850	N/A	Urethane Boot	\$25.00
37		A0878A	74335901/0826188	Cylinder Cap	\$150.00
38	MATE00788	A0895	N/A	Bolt	\$1.00
39	MATE00796	A0889	N/A	Set Screw (pkg of 10)	\$3.00
N/A	MATE00800	A0803	20SM	Coupler-Female (quick connect)	\$11.90
N/A	MATE00801	A0804	20PF (1/4")	Coupler-Male (quick connect)	\$4.90
N/A	MATE00243	A0840	N/A	Shims .010" - 10 pcs	\$16.00
N/A	MATE00244	A0841	N/A	Shims .003" - 10 pcs	\$16.00
N/A	MATE00245	A0842	N/A	Shims .005" - 10 pcs	\$16.00

[Dimensions in Inches (mm)]



ARIES 222, 224 CLAMP



- Manufactured to original OEM standards
- All sheet metal contact areas heat treated
- All clamp parts GUARANTEED

CLAMP BASE ASSEMBLY	
Length	180mm
Width	64mm
Height	14mm



[Dimensions in Inches (mm)]

ARIES 222, 224 CLAMP

11

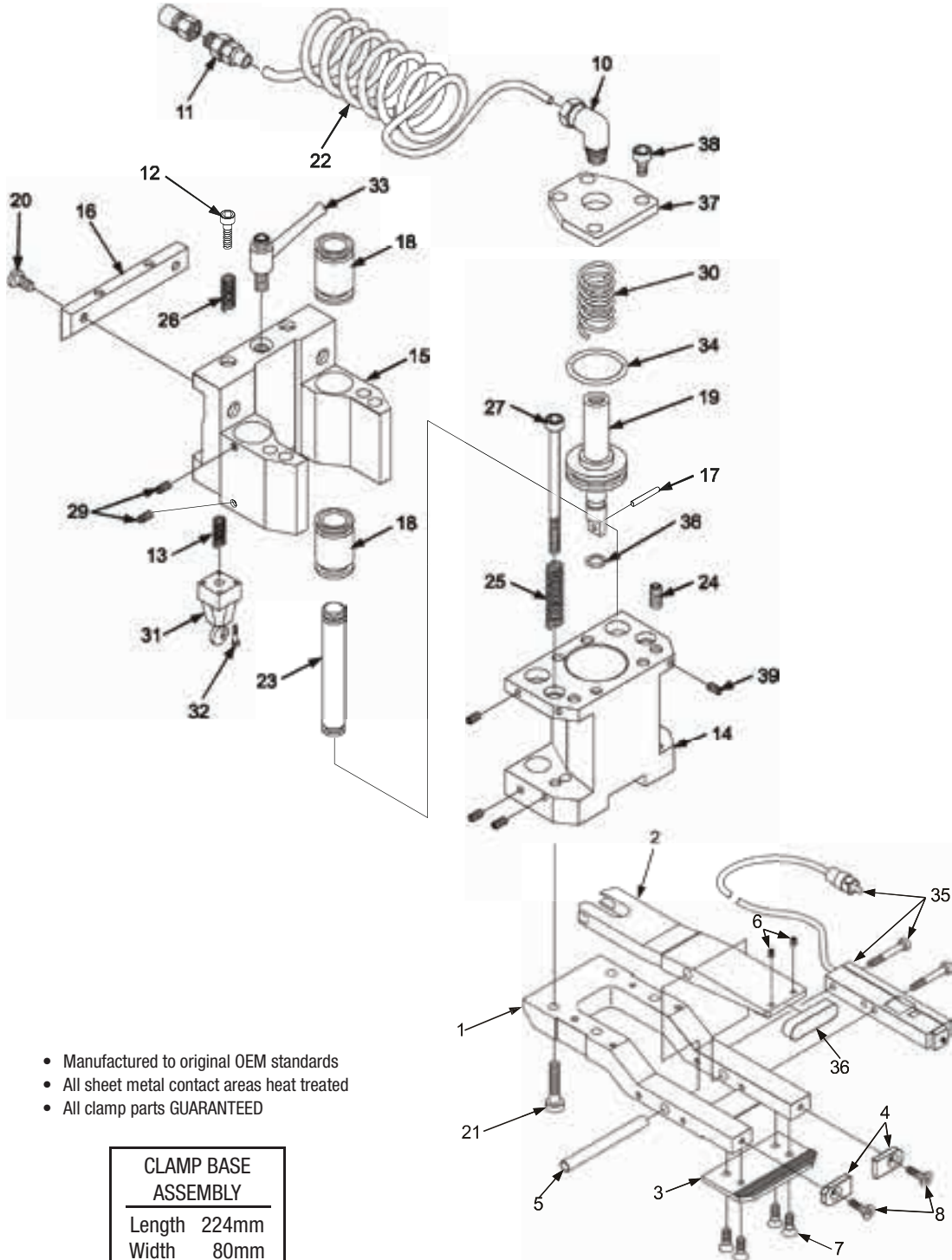
ARIES 222, 224 CLAMP

API Drawing #	Mate Part #	API Part #	Amada Drawing #	Description	Price
1 TO 8		A0204-CBA	6043408	Clamp Base Assembly	\$269.00
1		A0304-B	6043408	Clamp Base	\$154.00
2		A0404-CL	6043409	Clamper	\$108.00
3		A0502-CP	6043410	Clamp Plate	\$22.50
4		A0602-SP	6043411	Stopper Plate	\$8.00
5	MATE00237	A0794	M6x60	Straight Pin	\$1.50
6	MATE00948	A0830	M5x6	Set Screw - M5x6 - 10 pcs (Clamper Tip)	\$3.00
7	MATE00241	A0831	M5x12	Screw - M5x12 - 10 pcs (Clamp Plate)	\$3.00
8	MATE00242	A0832	M4x10	Screw - M4x10 - 10 pcs (Stopper Plate)	\$3.00
10	MATE00247	A0855A	8635270D	Sheet Sensor (for Auto Loader)	\$165.00
N/A	MATE00800	A0803	20SM	Coupler-Female (quick connect)	\$11.90
N/A	MATE00801	A0804	20PF (1/4")	Coupler-Male (quick connect)	\$4.90
N/A	MATE00238	A0811	KR10x20	Clamp Lever (Steel) 10mm	\$29.00
N/A	MATE00239	A0812	KR12x20	Clamp Lever (Steel) 12mm	\$29.00
N/A	MATE00243	A0840	N/A	Shims .010" - 10 pcs	\$16.00
N/A	MATE00244	A0841	N/A	Shims .003" - 10 pcs	\$16.00
N/A	MATE00245	A0842	N/A	Shims .005" - 10 pcs	\$16.00
N/A	MATE00811	A4111	6x4	Vinyl Tubing 6x4mm / foot	\$1.49
N/A	MATE00777	A4155	KQL06-02S	Elbow	\$5.75

[Dimensions in Inches (mm)]



LYRA, COMA, VELA – THIN CLAMP - PNEUMATIC



- Manufactured to original OEM standards
- All sheet metal contact areas heat treated
- All clamp parts GUARANTEED

CLAMP BASE ASSEMBLY	
Length	224mm
Width	80mm
Height	14mm



[Dimensions in Inches (mm)]

LLYRA, COMA, VELA – THIN CLAMP - PNEUMATIC

13

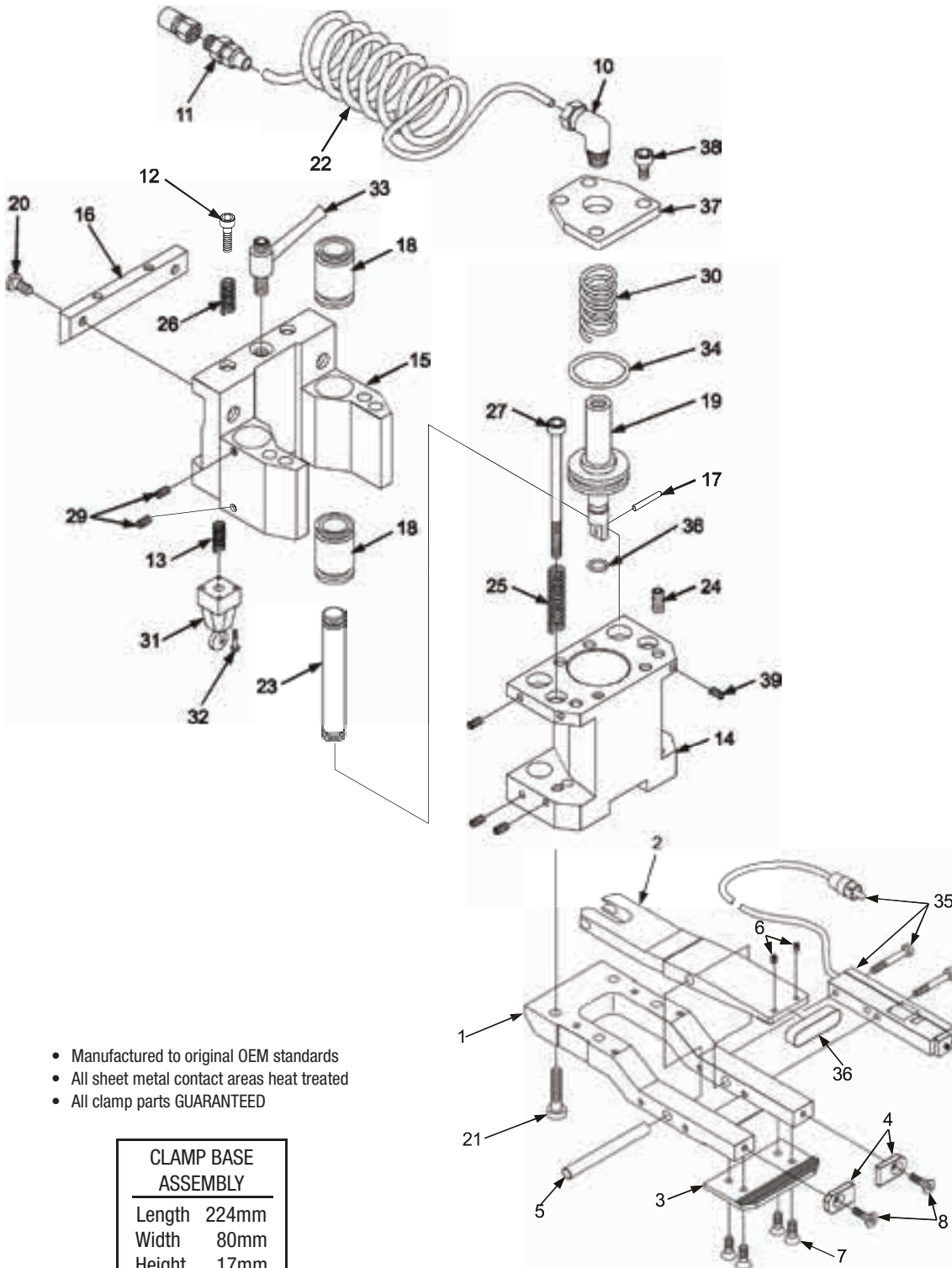
LLYRA, COMA, VELA – THIN CLAMP - PNEUMATIC

API Drawing #	Mate Part #	API Part #	Amada Drawing #	Description	Price
1-8	MATE00824	A0205-CBA	806067	Clamp Base Assembly	\$329.00
	MATE00825	A0105-CA	806080	Complete Clamp Assembly	\$1,299.00
1	MATE00826	A0305-B	806067	Clamp Base	\$209.00
2	MATE00827	A0405-CL	826194	Clamper	\$99.00
3	MATE00828	A0504-CP	826076	Clamp Plate	\$27.50
4	MATE00160	A0601-SP	816026	Stopper Plate	\$9.50
5	MATE00808	A0795	M6x80	Straight Pin	\$1.50
6	MATE00240	A0830	M5x6	Screw - M5x6 - 10 pcs (Clamper Tip)	\$3.00
7	MATE00241	A0831	M5x12	Screw - M5x12 - 10 pcs (Clamp Plate)	\$3.00
8	MATE00242	A0832	M4x10	Screw - M4x10 - 10 pcs (Stopper Plate)	\$3.00
10	MATE00777	A4155	KQL06-02S	Elbow	\$5.75
11	MATE00778	A4123	KQH06-02S	Connector	\$6.90
12	MATE00779	A0887	P338135015	Shoulder Bolt	\$3.00
13	MATE00780	A0891	N/A	Spring	\$3.00
14		A0872J	N/A	Clamp Body - Piston Side	\$499.00
15	MATE00782	A0879	N/A	Clamp Body - Dove Tail Side	\$499.00
16	MATE00783	A0881	0816004	Dove Tail Plate	\$44.00
17	MATE00784	A0882	P337020028	Pin	\$1.00
18		A0862	N/A	Linear Bearing	\$24.99
19		A0620J	N/A	Clamp Piston (Joggle)	\$375.00
20	MATE00787	A0875	0816005	Bolt	\$9.90
21		A0839N	N/A	Screw SHCS - M8x15 (pkg of 10)	\$7.90
22	MATE00789	A0876	N/A	Coil Tubing	\$15.00
23		A0898	N/A	Rod 16mmx120mm	\$18.00
24	MATE00791	A0831B	P003570059	Set Screw - M6x8	\$0.50
25		A0877	N/A	Clamp Spring	\$5.00
26	MATE00793	A0888	0816006	Spring	\$3.00
27		A0839	N/A	Screw SHCS - M6x80 (pkg of 10)	\$7.90
29		A0825	N/A	Cone Point Set Screw - M4x6	\$0.25
30		A0846	N/A	Cylinder Spring	\$19.00
31	MATE00797	A0871	FOR-WLD2	Head	\$41.00
33	MATE00239	A0812	806075	Clamp Lever (Steel) 12mm	\$29.00
34		A9234	N/A	O-Ring P-50A	\$1.50
35	MATE00247	A0855A	8635270D	Sheet Sensor (for Auto Loader)	\$165.00
36		A9220	P-12	O-Ring P-12	\$0.75
37		A0878J	N/A	Cylinder Cap (Joggle)	\$150.00
38		A0839Q	N/A	Screw SHCS - M6x16 (pkg of 10)	\$2.90
39	MATE00796	A0889	N/A	Set Screw - M6x6 (pkg of 10)	\$3.00
N/A	MATE00800	A0803	20SM	Coupler-Female (quick connect)	\$11.90
N/A	MATE00801	A0804	20PF 9(1/4")	Coupler-Male (quick connect)	\$4.90
N/A	MATE00243	A0840	N/A	Shims .010" - 10 pcs	\$16.00
N/A	MATE00244	A0841	N/A	Shims .003" - 10 pcs	\$16.00
N/A	MATE00245	A0842	N/A	Shims .005" - 10 pcs	\$16.00

[Dimensions in Inches (mm)]



VELA, COMA – THICK CLAMP - PNEUMATIC



- Manufactured to original OEM standards
- All sheet metal contact areas heat treated
- All clamp parts GUARANTEED

CLAMP BASE ASSEMBLY	
Length	224mm
Width	80mm
Height	17mm



[Dimensions in Inches (mm)]

VELA, COMA – THICK CLAMP - PNEUMATIC

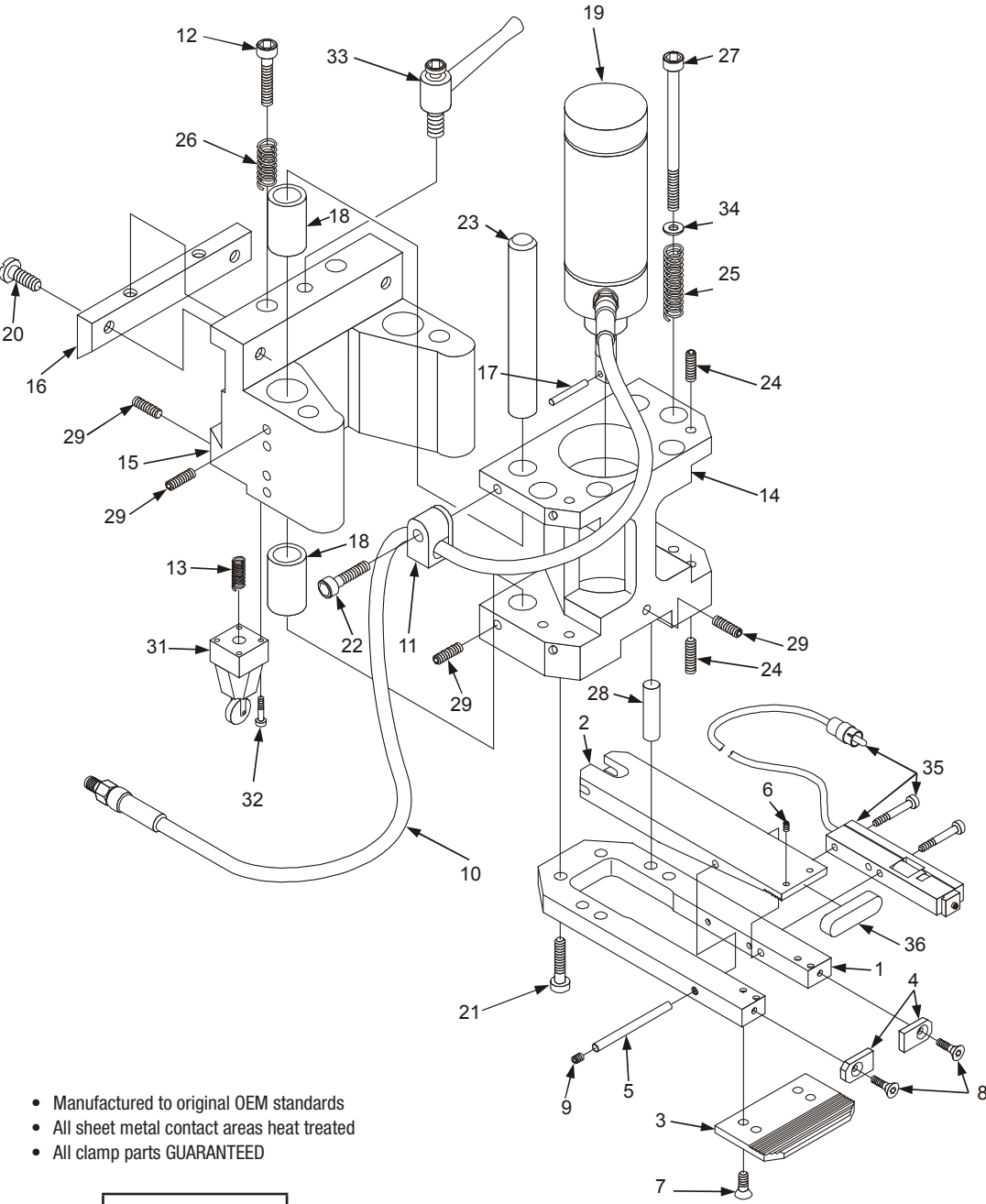
15

VELA, COMA – THICK CLAMP - PNEUMATIC

API Drawing #	Mate Part #	API Part #	Amada Drawing #	Description	Price
1-8	MATE00831	A0206-CBA	826031	Clamp Base Assembly	\$319.00
1-34	MATE00832	A0106-CA	826030B	Complete Clamp Assembly	\$1,299.00
1	MATE00833	A0306-B	826031	Clamp Base	\$199.00
2	MATE00834	A0406-CL	826032	Clamper	\$89.00
3	MATE00828	A0504-CP	826076	Clamp Plate	\$27.50
4	MATE00835	A0603-SP	826092	Stopper Plate	\$15.00
5	MATE00808	A0795	M6x80	Straight Pin	\$1.50
6	MATE00240	A0830	M5x6	Set Screw - 10 pcs - M5x6 -(Clamper Tip)	\$3.00
7	MATE00241	A0831	M5x12	Screw - 10 pcs - M5x12 -(Clamp Plate)	\$3.00
8	MATE00241	A0831	M5x12	Screw - 10 pcs - M5x12 -(Stopper Plate)	\$3.00
10	MATE00777	A4155	KQL06-02S	Elbow	\$5.75
11	MATE00778	A4123	KQH06-02S	Connector	\$6.90
12	MATE00779	A0887	P338135015	Shoulder Bolt	\$3.00
13	MATE00780	A0891	N/A	Spring	\$3.00
14	MATE00830	A0872J	N/A	Clamp Body - Piston Side	\$499.00
15	MATE00782	A0879	N/A	Clamp Body - Dove Tail Side	\$499.00
16	MATE00783	A0881	0816004	Dove Tail Plate	\$44.00
17	MATE00784	A0882	P337020028	Pin	\$1.00
18	MATE00785	A0862	N/A	Linear Bearing	\$24.99
19	MATE00786	A0620J	N/A	Clamp Piston (Joggle)	\$375.00
20	MATE00787	A0875	0816005	Bolt	\$9.90
21		A0839N	N/A	Screw SHCS - M8x16 pkg of 10	\$7.90
22	MATE00789	A0876	N/A	Coil Tubing	\$15.00
24	MATE00791	A0831B	P330570059	Set Screw - M6x8	\$0.50
25		A0877	N/A	Spring	\$5.00
26	MATE00793	A0888	0816006	Spring	\$3.00
27		A0839	N/A	Screw SHCS - M6x80	\$7.90
29		A0825	N/A	Screw Cone Point - M4x6	\$0.25
30		A0846	806005	Cylinder Spring	\$19.00
31	MATE00797	A0871	FOR-WLD2	Head	\$41.00
33	MATE00239	A0812	806075	Clamp Lever (Steel) 12mm	\$29.00
34		A9234	N/A	O-Ring P-50A	\$1.50
35	MATE00247	A0855A	8635270-D	Sheet Sensor (for Auto Loader)	\$165.00
36		A9220	N/A	O-Ring P-12	\$0.75
37		A0878J	N/A	Cylinder Cap (Joggle)	\$150.00
38		A0839Q	N/A	Screw SHCS - M6x16 pkg of 10	\$2.90
39	MATE00796	A0889	N/A	Set Screw - M6x16 pkg of 10	\$3.00
N/A	MATE00800	A0803	20SM	Coupler-Female (quick connect)	\$11.90
N/A	MATE00801	A0804	20PF (1/4")	Coupler-Male	\$4.90
N/A	MATE00243	A0840	N/A	Shims .010" - 10 pcs	\$16.00
N/A	MATE00244	A0841	N/A	Shims .003" - 10 pcs	\$16.00
N/A	MATE00245	A0842	N/A	Shims .005" - 10 pcs	\$16.00

[Dimensions in Inches (mm)]





- Manufactured to original OEM standards
- All sheet metal contact areas heat treated
- All clamp parts GUARANTEED

CLAMP BASE ASSEMBLY	
Length	206mm
Width	80mm
Height	17mm



[Dimensions in Inches (mm)]

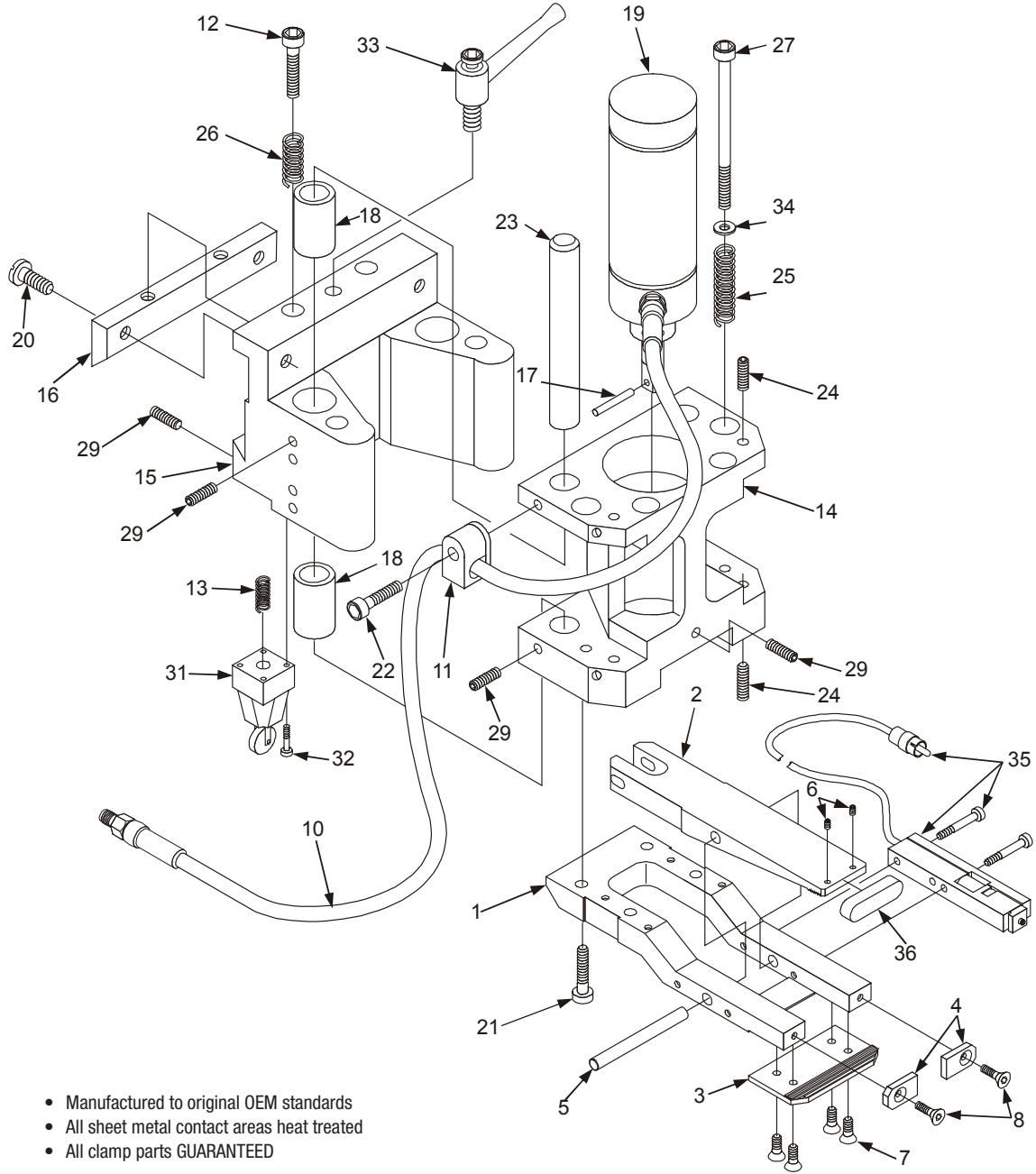
EXTERNAL CYLINDER – HYDRAULIC

API Drawing #	Mate Part #	API Part #	Amada Drawing #	Description	Price
1-9	MATE00254	A0207-CBA	826193	Clamp Base Assembly	\$289.00
1-34	MATE00836	A0107-CA	826190	Complete Clamp Assembly	\$1,399.00
1	MATE00255	A0307-B	826193	Clamp Base	\$155.00
2	MATE00256	A0407-CL	826194	Clamper	\$99.00
3	MATE00161	A0501-CP	816025	Clamp Plate	\$24.50
4	MATE00160	A0601-SP	816026	Stopper Plate	\$9.50
5	MATE00257	A0796	M8x60	Straight Pin	\$1.50
6	MATE00240	A0830	M5x6	Set Screw - 10 pcs - M5x6 (Clamper Tip)	\$3.00
7	MATE00241	A0831	M5x12	Screw - 10 pcs - M5x12 (Clamp Plate)	\$3.00
8	MATE00242	A0832	M5x12	Screw - M4x10 (pkg 10)	\$2.00
9	MATE00837	A0836	M10x12	Screw - M10x12 each	\$1.00
10	MATE00838	A8227	827577	Hydraulic Hose	\$43.00
11	MATE00839	A0896	N/A	Hose Clamp Holder	\$3.00
12	MATE00779	A0887	P338135015	Shoulder Bolt	\$3.00
13	MATE00780	A0891	N/A	Spring	\$3.00
14	MATE00840	A0872A	N/A	Clamp Body - Piston Side	\$499.00
15	MATE00782	A0880	N/A	Clamp Body - Dove Tail Side	\$499.00
16	MATE00783	A0881	0816004	Dove Tail Plate	\$44.00
17	MATE00841	A0873i	N/A	Pin	\$3.00
18	MATE00785	A0869	N/A	Linear Bearing	\$28.99
19	MATE00842	A0873A	N/A	Hydraulic Cylinder	\$279.00
20	MATE00787	A0875	0816005	Bolt	\$9.90
21	MATE00788	A0895	N/A	Bolt	\$1.00
22	MATE00843	A0834A	N/A	Screw - 10 Pcs	\$1.90
23	MATE00790	A0883	N/A	Rod	\$12.00
24	MATE00791	A0831B	P330570059	Set Screw - M6x8	\$0.50
25	MATE00792	A0886	N/A	Spring	\$3.00
26	MATE00793	A0888	0816006	Spring	\$3.00
27	MATE00794	A0884	N/A	Bolt	\$1.00
29	MATE00796	A0889	N/A	Set Screw - M6x6 - 10 pcs	\$3.00
31	MATE00797	A0871	6WPH200-1	Head	\$41.00
32	MATE00798	A0890	N/A	Bolt - 10 pcs	\$3.00
33	MATE00239	A0812	KR12x20	Clamp Lever (Steel) 12mm	\$29.00
34	MATE00799	A0885	N/A	Washer - 10pcs	\$3.00
35	MATE00247	A0855A	8635270D	Sheet Sensor (for Auto Loader)	\$165.00
36	MATE00246	A0850	N/A	Urethane Boot (for Clamper Tip)	\$25.00
N/A	MATE00844	A0805	2HS (1/4")	Coupler-Female (quick connect)	\$49.00
N/A	MATE00845	A0806	2HP (1/4)	Coupler-Male (quick connect)	\$21.90
N/A	MATE00238	A0811	KR10x20	Clamp Lever (Steel) 10mm	\$29.00
N/A	MATE00243	A0840	N/A	Shims .010" - 10 pcs	\$16.00
N/A	MATE00244	A0841	N/A	Shims .003" - 10 pcs	\$16.00
N/A	MATE00245	A0842	N/A	Shims .005" - 10 pcs	\$16.00
N/A	MATE00846	A8200	74166005	Hydraulic Clamp Pump Unit	\$2,899.00

[Dimensions in Inches (mm)]



COMA – ORIGINAL STYLE CLAMP - HYDRAULIC



- Manufactured to original OEM standards
- All sheet metal contact areas heat treated
- All clamp parts GUARANTEED

CLAMP BASE ASSEMBLY	
Length	224mm
Width	80mm
Height	17mm



[Dimensions in Inches (mm)]

COMA – ORIGINAL STYLE CLAMP - HYDRAULIC

19

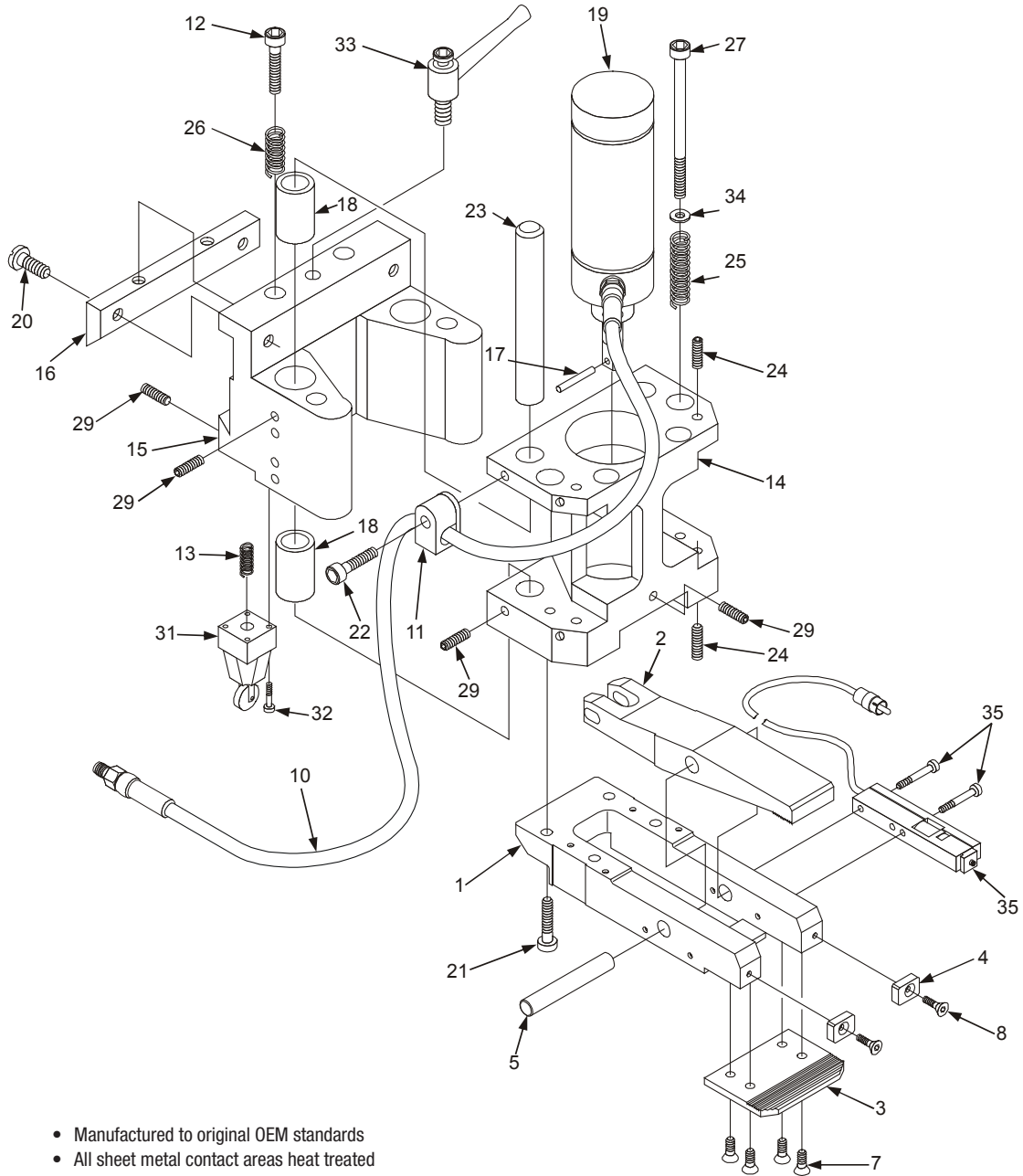
COMA – ORIGINAL STYLE CLAMP - HYDRAULIC

API Drawing #	Mate Part #	API Part #	Amada Drawing #	Description	Price
1-8	MATE00250	A0208-CBA	826074	Clamp Base Assembly	\$339.00
1-34	MATE00847	A0108-CA	826070D	Complete Clamp Assembly	\$1,299.00
1	MATE00251	A0308-B	826074B	Clamp Base	\$214.00
2	MATE00252	A0408-CL	826075A	Clamper	\$114.00
3	MATE00253	A0504-CP	826076	Clamp Plate	\$27.50
4	MATE00835	A0603-SP	826092	Stopper Plate	\$15.00
5	MATE00848	A0797	8x80	Straight Pin	\$1.96
6	MATE00240	A0830	M5x6	Set Screw - 10 pcs - M5x6 (Clamper Tip)	\$3.00
7	MATE00241	A0893	M5x12	Screw - 10 pcs - M5x12 (Clamp Plate)	\$2.00
8		A0893	M5x12	Screw - 10 pcs - M5x12 (Stopper Plate)	\$2.00
10	MATE00838	A8227	827577	Hydraulic Hose	\$43.00
11	MATE00839	A0896	N/A	Hose Clamp Holder	\$3.00
12	MATE00779	A0887	P338135015	Shoulder Bolt	\$3.00
13	MATE00780	A0891	N/A	Spring	\$3.00
14	MATE00830	A0872B	N/A	Clamp Body - Piston Side	\$499.00
15	MATE00782	A0880	N/A	Clamp Body - Dove Tail Side	\$499.00
16	MATE00783	A0881	0816004	Dove Tail Plate	\$44.00
17	MATE00841	A0873i	N/A	Pin	\$3.00
18	MATE00785	A0869	N/A	Linear Bearing	\$28.99
19	MATE00842	A0873A	N/A	Hydraulic Cylinder	\$279.00
20	MATE00787	A0875	0816005	Bolt	\$9.90
21	MATE00788	A0895	N/A	Bolt	\$1.00
22	MATE00843	A0834A	N/A	Screw 10 pcs	\$1.90
23	MATE00790	A0883	N/A	Rod	\$12.00
24	MATE00791	A0831B	P330570059	Set Screw M6x8	\$0.50
25	MATE00792	A0886	N/A	Spring	\$3.00
26	MATE00793	A0888	0816006	Spring	\$3.00
27	MATE00794	A0884	N/A	Bolt	\$1.00
29	MATE00796	A0889	N/A	Set Screw - M6x6 - 10 pcs	\$3.00
31	MATE00797	A0871	6WPH200-1	Head	\$41.00
32	MATE00798	A0890	N/A	Bolt - 10 pcs	\$3.00
33	MATE00239	A0812	KR12x20	Clamp Lever (Steel) 12mm	\$29.00
34	MATE00799	A0885	N/A	Washer - 10 pcs	\$3.00
35	MATE00247	A0855A	8635270D	Sheet Sensor (for Auto Loader)	\$165.00
36	MATE00246	A0850	N/A	Urethane Boot (for Clamper Tip)	\$25.00
N/A	MATE00844	A0805	2HS (1/4")	Coupler-Female (quick connect)	\$49.00
N/A	MATE00845	A0806	2HP (1/4")	Coupler-Male (quick connect)	\$21.90
N/A	MATE00243	A0840	N/A	Shims .010" - 10 pcs	\$16.00
N/A	MATE00244	A0841	N/A	Shims .003" - 10 pcs	\$16.00
N/A	MATE00245	A0842	N/A	Shims .005" - 10 pcs	\$16.00
N/A	MATE00846	A8200	74166005	Hydraulic Clamp Pump Unit	\$2,899.00

[Dimensions in Inches (mm)]



COMA – THICK CLAMP - HYDRAULIC



- Manufactured to original OEM standards
- All sheet metal contact areas heat treated
- All clamp parts GUARANTEED

CLAMP BASE ASSEMBLY	
Length	223mm
Width	80mm
Height	30mm



[Dimensions in Inches (mm)]

COMA – THICK CLAMP - HYDRAULIC

21

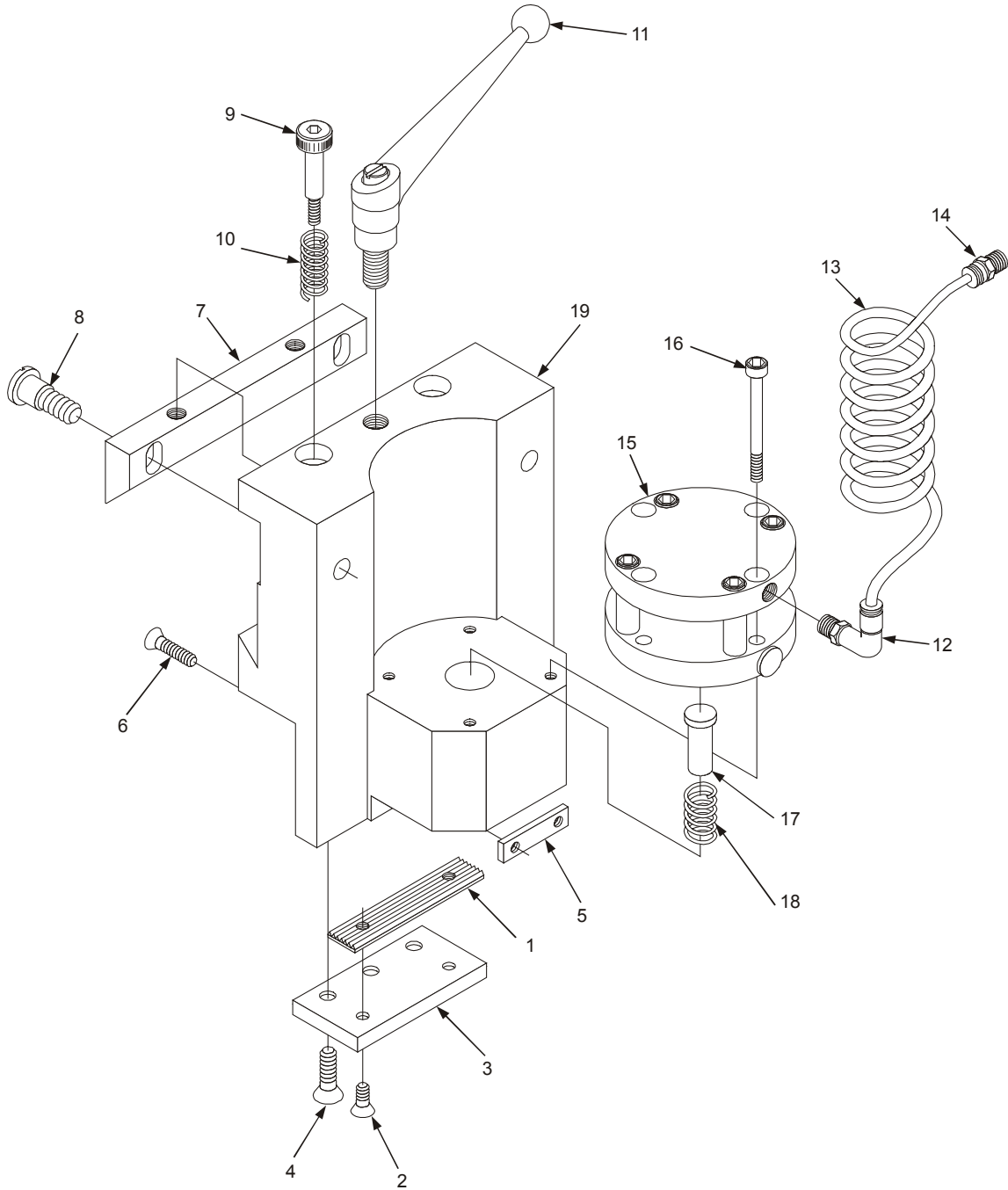
API Drawing #	Mate Part #	API Part #	Amada Drawing #	Description	Price
1-8	MATE00249	A0209-CBA	826044	Clamp Base Assembly	\$499.00
1-34	MATE00849	A0109-CA	826040	Complete Clamp Assembly	\$1,599.00
1	MATE00850	A0309-B	826044	Clamp Base	\$349.00
2	MATE00851	A0409-CL	826054	Clamper	\$109.00
3	MATE00852	A0505-CP	826046	Clamp Plate	\$69.00
4	MATE00853	A0604-SP	826043	Stopper Plate	\$15.00
5	MATE00854	A0798	M13x80	Straight Pin	\$9.00
7	MATE00855	A0833	M6x18	Screw - 10 pcs - M6x18 (Clamp Plate)	\$4.00
8	MATE00855	A0833	M6x18	Screw - 10 pcs - M6x18 (Stopper Plate)	\$4.00
10	MATE00838	A8227	827577	Hydraulic Hose	\$43.00
11	MATE00839	A0896	N/A	Hose Clamp Holder	\$3.00
12	MATE00779	A0887	P338135015	Shoulder Bolt	\$3.00
13	MATE00780	A0891	N/A	Spring	\$3.00
14	MATE00830	A0872B	N/A	Clamp Body - Piston Side	\$499.00
15	MATE00782	A0880	N/A	Clamp Body - Dove Tail Side	\$499.00
16	MATE00783	A0881	0816004	Dove Tail Plate	\$44.00
17	MATE00841	A0873i	N/A	Pin	\$3.00
18	MATE00785	A0869	N/A	Linear Bearing	\$28.99
19	MATE00842	A0873A	N/A	Hydraulic Cylinder	\$279.00
20	MATE00787	A0875	0816005	Bolt	\$9.90
21	MATE00788	A0895	N/A	Bolt	\$1.00
22	MATE00843	A0834A	N/A	Screw - 10 pcs	\$1.90
23	MATE00790	A0883	N/A	Rod	\$12.00
24	MATE00791	A0831B	P330570059	Set Screw - M6x8	\$0.50
25	MATE00792	A0886	N/A	Spring	\$3.00
26	MATE00793	A0888	0816006	Spring	\$3.00
27	MATE00794	A0884	N/A	Bolt	\$1.00
29	MATE00796	A0889	N/A	Set Screw - M6x6 - 10 pcs	\$3.00
31	MATE00797	A0871	6WPH200-1	Head	\$41.00
32	MATE00798	A0890	N/A	Bolt - 10 pcs	\$3.00
33	MATE00239	A0812	KR12x20	Clamp Lever	\$29.00
34	MATE00799	A0885	N/A	Washer - 10 pcs	\$3.00
35	MATE00247	A0855A	8635270D	Sheet Sensor (for Auto Loader)	\$165.00
N/A	MATE00844	A0805	2HS (¼")	Coupler-Female (quick connect)	\$49.00
N/A	MATE00845	A0806	2HP (¼")	Coupler-Male (quick connect)	\$21.90
N/A	MATE00243	A0840	N/A	Shims .010" - 10 pcs	\$16.00
N/A	MATE00244	A0841	N/A	Shims .003" - 10 pcs	\$16.00
N/A	MATE00245	A0842	N/A	Shims .005" - 10 pcs	\$16.00
N/A	MATE00846	A8200	74166005	Hydraulic Clamp Pump Unit	\$2,899.00

COMA – THICK CLAMP - HYDRAULIC



[Dimensions in Inches (mm)]

COMA, VELA, LYRA, PEGA – STUBBY CLAMP



- Manufactured to original OEM standards
- All sheet metal contact areas heat treated
- All clamp parts GUARANTEED



[Dimensions in Inches (mm)]

COMA, VELA, LYRA, PEGA – STUBBY CLAMP

23

API Drawing #	Mate Part #	API Part #	Amada Drawing #	Description	Price
1-19	MATE00856	A0110-CAA	N/A	Complete Clamp Assembly Pneumatic	\$749.00
1	MATE00857	A0943	N/A	Clamp Plate	\$20.00
2	MATE00242	A0832	N/A	Screw - M4x10 (pkg of 10)	\$3.00
3	MATE00858	A0942	N/A	Back Up Plate	\$20.00
4	MATE00859	A0827	N/A	Screw - M6x16	\$3.00
5	MATE00860	A0941	N/A	Stopper	\$18.00
6	MATE00861	A0937	N/A	Screw - M5x20 (pkg of 10)	\$3.00
7	MATE00783	A0881	0816004	Dove Tail Plate	\$44.00
8	MATE00787	A0875	0816005	Bolt	\$9.90
9	MATE00779	A0887	P338135015	Shoulder Bolt	\$3.00
10	MATE00793	A0888	0816006	Spring	\$3.00
11	MATE00239	A0812	N/A	Clamp Lever (Steel) 12mm	\$29.00
12	MATE00862	A4153	N/A	Elbow Connector	\$5.90
13	MATE00789	A0876	N/A	Clamp Coil Tubing	\$15.00
14	MATE00778	A4123	N/A	Connector	\$6.90
15	MATE00863	A0938	N/A	Air Cylinder	\$129.00
16	MATE00864	A0936	N/A	Screw - M5x55	\$3.00
17	MATE00865	A0940	N/A	Plunger Clamp	\$20.00
18	MATE00780	A0891	N/A	Spring	\$3.00
19	MATE00866	A0968	N/A	Lower Unit	\$399.00
N/A	MATE00800	A0803	20SM	Coupler-Female	\$11.90
N/A	MATE00801	A0804	20PF (1/4")	Coupler-Male	\$4.90

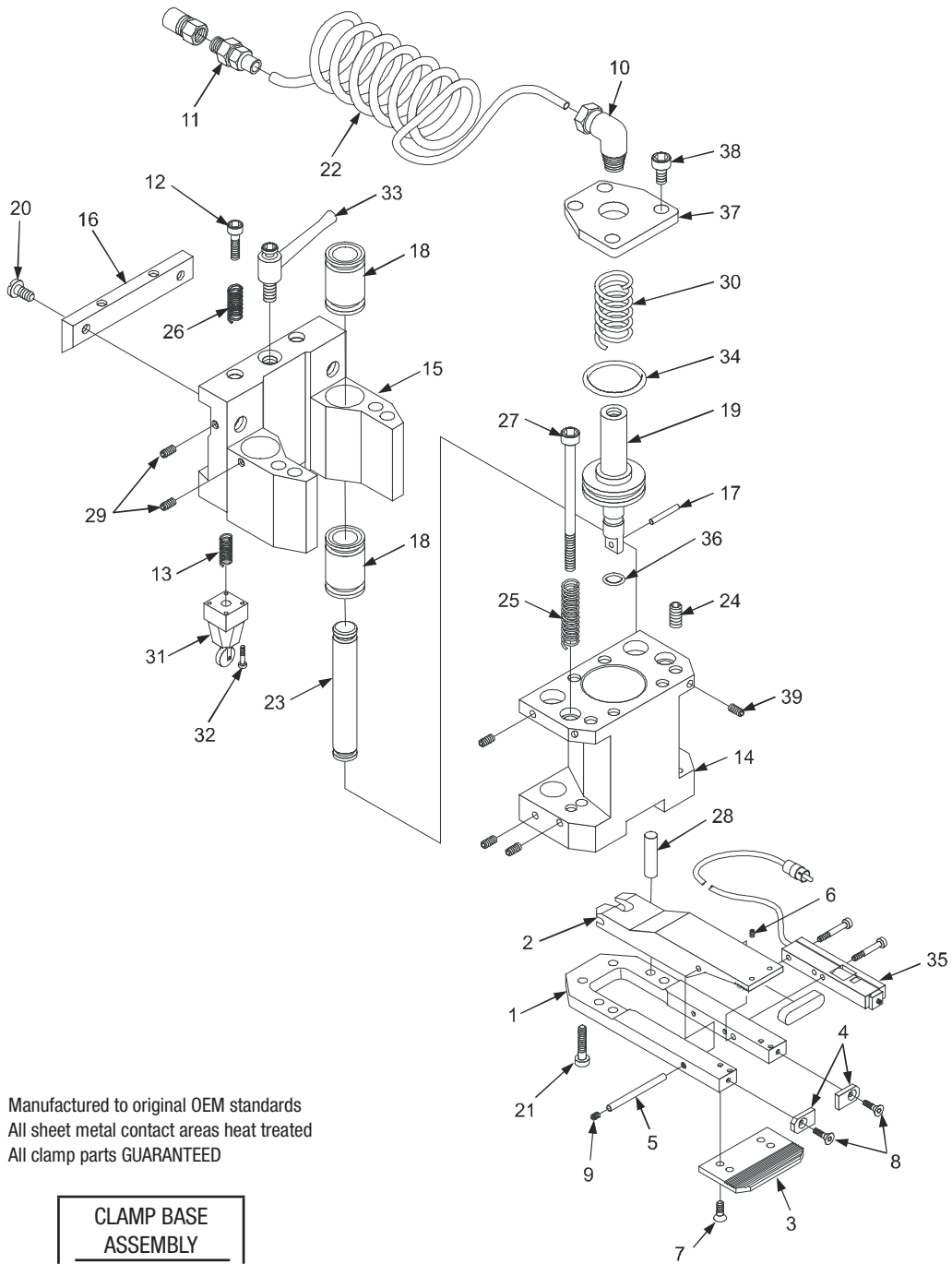
COMA, VELA, LYRA, PEGA – STUBBY CLAMP



[Dimensions in Inches (mm)]

LASER CLAMP – APELIO AND PULSAR - 10mm

LASER CLAMP – APELIO AND PULSAR - 10mm



- Manufactured to original OEM standards
- All sheet metal contact areas heat treated
- All clamp parts GUARANTEED

CLAMP BASE ASSEMBLY	
Length	206mm
Width	80mm
Height	20mm



[Dimensions in Inches (mm)]

LASER CLAMP – APELIO AND PULSAR - 10mm

25

LASER CLAMP – APELIO AND PULSAR - 10mm

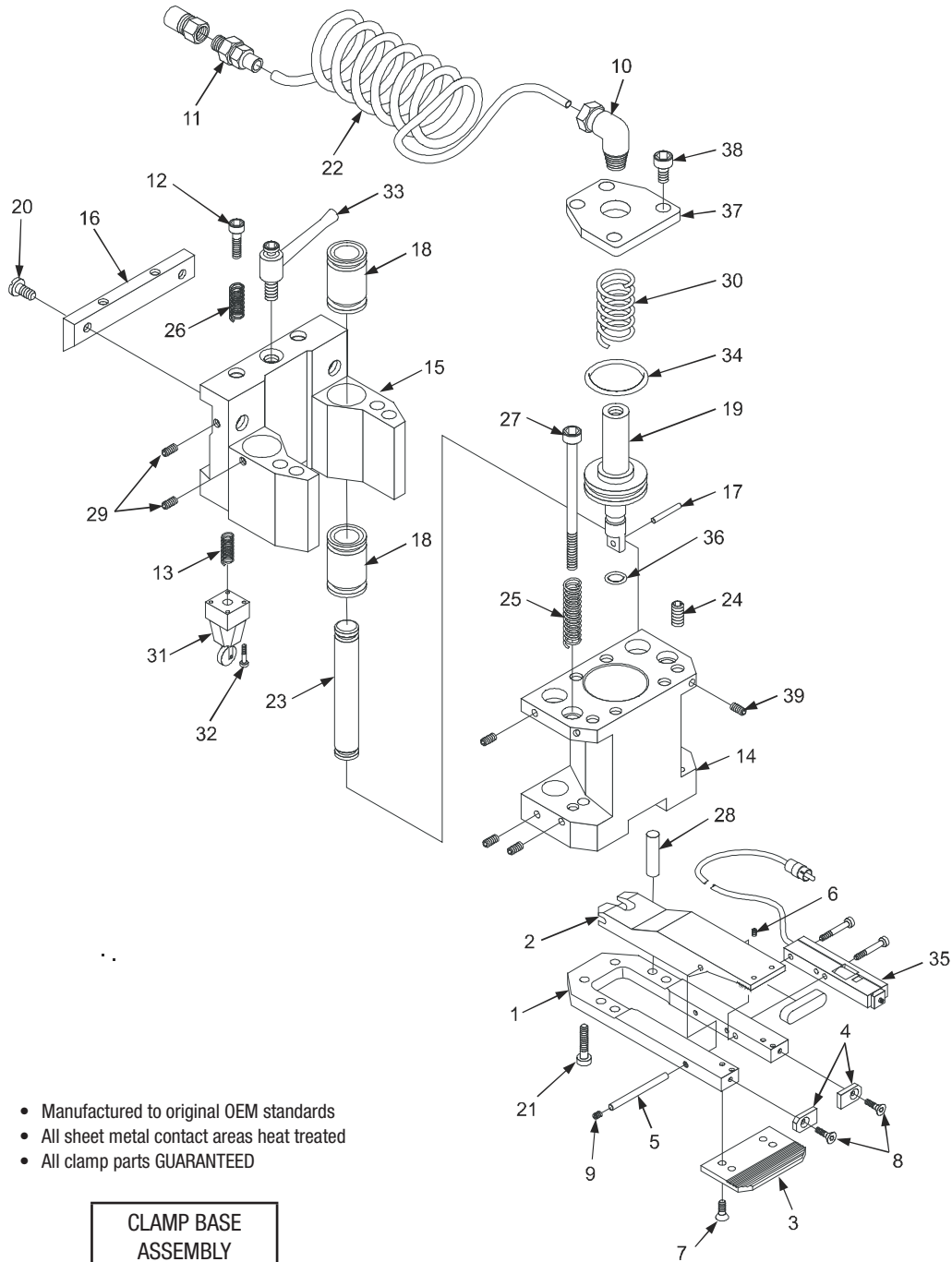
API Drawing #	Mate Part #	API Part #	Amada Drawing #	Description	Price
1-9	MATE00163	A0210-CBA	1662497	Clamp Base Assembly, 10mm Open Height	\$499.00
1-34	MATE00162	A0112-CA	1662495	Complete Clamp Assembly, 10mm Open Height	\$1,399.00
1	MATE00165	A0310-B	1662497	Clamp Base	\$279.00
2	MATE00164	A0410-CL	1662498	Clamper	\$199.00
3	MATE00161	A0501-CP	1662499	Clamp Plate	\$24.50
4	MATE00166	A0605-SP	N/A	Stopper Plate	\$30.00
5	MATE00237	A0794	M6x60	Straight Pin	\$1.50
6	MATE00240	A0830	M5x6	Screw - M5x6 - 10 pcs (Clamper Tip)	\$3.00
7	MATE00241	A0831	M5x12	Screw - M5x12 - 10 pcs (Clamp Plate)	\$3.00
8	MATE00242	A0832	M4x10	Screw - M4x10 - 10 pcs (Stopper Plate)	\$3.00
9	MATE00776	A0835	M8x8	Set Screw - M8x8	\$0.40
10	MATE00777	A4155	KQL06-02S	Elbow	\$5.75
11	MATE00778	A4123	KQH06-02S	Connector	\$3.90
12	MATE00779	A0887	P338135015	Shoulder Bolt	\$3.00
13	MATE00780	A0891	N/A	Spring	\$3.00
14	MATE00781	A0874A	N/A	Clamp Body - Piston Side	\$499.00
15	MATE00782	A0879	N/A	Clamp Body - Dove Tail Side	\$499.00
16	MATE00783	A0881	0816004	Dove Tail Plate	\$44.00
17	MATE00784	A0882	P337020028	Pin	\$1.00
18	MATE00785	A0862	N/A	Linear Bearing	\$24.99
19		A0622	N/A	Piston	\$375.00
20	MATE00787	A0875	0816005	Bolt	\$9.90
21	MATE00788	A0895	N/A	Bolt	\$1.00
22	MATE00789	A0876	N/A	Coil Tubing	\$15.00
23	MATE00789	A0898	N/A	Rod	\$18.00
24	MATE00791	A0831B	P330570059	Set Screw - M6x8	\$0.50
25		A0877	0826218	Spring	\$5.00
26	MATE00793	A0888	0816006	Spring	\$3.00
27		A0839	P330223019	Bolt (pkg 10)	\$7.90
28	MATE00795	A0966	N/A	Pin	\$3.00
29	MATE00796	A0889	N/A	Set Screw - M6x6 - 10 pcs	\$3.00
30		A0846a	N/A	Piston Spring	\$19.00
31	MATE00797	A0871	6WPH200-1	Head	\$41.00
32	MATE00798	A0890	N/A	Bolt - 10pcs	\$3.00
33	MATE00239	A0812	KR12x20	Clamp Lever (Steel) 12mm	\$29.00
34		A9234	P50A/P590000050	Washer - 10 pcs	\$1.50
35	MATE00247	A0855A	8635270D	Sheet Sensor (for Auto Loader)	\$165.00
36		A9220	P-12/P590000012	O-Ring	\$0.75
37		A0878	74335901/0826188	Cylinder Cap	\$150.00
38		A0839q	N/A	M6x16 Cap Head Screw (pkg 10)	\$7.90
39		A0825	N/A	M4x6 Cone Point Set Screw (pkg 10)	\$3.00
N/A	MATE00800	A0803	20SM	Coupler-Female	\$11.90
N/A	MATE00801	A0804	20PF (1/4")	Coupler-Male	\$4.90
N/A		A0811	KR10x20	Clamp Lever - 10mm	\$29.00
N/A	MATE00243	A0840	N/A	Shims .010" - 10 pcs	\$16.00
N/A	MATE00244	A0841	N/A	Shims .003" - 10 pcs	\$16.00
N/A	MATE00245	A0842	N/A	Shims .005" - 10 pcs	\$16.00

[Dimensions in Inches (mm)]



LASER CLAMP – APELIO AND PULSAR - 13mm

LASER CLAMP – APELIO AND PULSAR - 13mm



- Manufactured to original OEM standards
- All sheet metal contact areas heat treated
- All clamp parts GUARANTEED

CLAMP BASE ASSEMBLY	
Length	206mm
Width	80mm
Height	20mm



[Dimensions in Inches (mm)]

LASER CLAMP – APELIO AND PULSAR - 13mm

27

API Drawing #	Mate Part #	API Part #	Amada Drawing #	Description	Price
1-9	MATE00867	A0212-CBA	1662497	Clamp Base Assembly, 13mm Open Height	\$799.00
1-34	MATE00900	A0115-CA	1662495	Complete Clamp Assembly, 13mm Open Height	\$1,799.00
1	MATE00165	A0310-B	1662497	Clamp Base	\$279.00
2	MATE00870	A0411-CL	1662498	Clamper	\$250.00
3	MATE00161	A0501-CP	1662499	Clamp Plate	\$24.50
4	MATE00166	A0605-SP	N/A	Stopper Plate	\$30.00
5	MATE00237	A0794	M6x60	Straight Pin	\$1.50
6	MATE00240	A0830	M5x6	Screw - M5x6 - 10 pcs (Clamper Tip)	\$3.00
7	MATE00241	A0831	M5x12	Screw - M5x12 - 10 pcs (Clamp Plate)	\$3.00
8	MATE00242	A0832	M4x10	Screw - M4x10 - 10 pcs (Stopper Plate)	\$3.00
9	MATE00776	A0835	M8x8	Set Screw - M8x8	\$0.40
10	MATE00777	A4155	KQL06-02S	Elbow	\$5.75
11	MATE00778	A4123	KQH06-02S	Connector	\$3.90
12	MATE00779	A0887	P338135015	Shoulder Bolt	\$3.00
13	MATE00780	A0891	N/A	Spring	\$3.00
14		A0874A	N/A	Clamp Body - Piston Side	\$499.00
15		A0879	N/A	Clamp Body - Dove Tail Side	\$499.00
16	MATE00783	A0881	0816004	Dove Tail Plate	\$44.00
17	MATE00784	A0882	P337020028	Pin	\$1.00
18		A0862	N/A	Linear Bearing	\$24.99
19		A0622	N/A	Piston	\$375.00
20	MATE00787	A0875	0816005	Bolt	\$9.90
21	MATE00788	A0895	N/A	Bolt	\$1.00
22	MATE00789	A0876	N/A	Coil Tubing	\$15.00
23		A0898	N/A	Rod	\$18.00
24	MATE00791	A0831B	P330570059	Set Screw - M6x8	\$0.50
25		A0877	0826218	Spring	\$5.00
26	MATE00793	A0888	0816006	Spring	\$3.00
27		A0839	P330223019	Bolt (pkg 10)	\$7.90
28	MATE00795	A0966	N/A	Pin	\$3.00
29	MATE00796	A0889	N/A	Set Screw - M6x6 - 10 pcs	\$3.00
30		A0846A	N/A	Spring	\$19.00
31	MATE00797	A0871	6WPH200-1	Head	\$41.00
32	MATE00798	A0890	N/A	Bolt - 10 pcs	\$3.00
33	MATE00239	A0812	KR12x20	Clamp Lever (Steel) - 12mm	\$29.00
34		A9234	P50A/P590000050	O-Ring	\$1.50
35	MAE00247	A0855A	8635270D	Sheet Sensor (for Auto Loader)	\$165.00
36		A9220	P-12/P590000012	O-Ring	\$0.75
37		A0878	74335901/0826188	Cylinder Cap	\$150.00
38		A0839q	N/A	M6x16 Cap Head Screw (pkg 10)	\$7.90
39		A0825	N/A	M4x6 Cone Point Set Screw (pkg 10)	\$3.00
N/A	MATE00800	A0803	20SM	Coupler-Female	\$11.90
N/A	MATE00801	A0804	20PF (1/4")	Coupler-Male	\$4.90
N/A		A0811	KR10x20	Clamp Lever - 10mm	\$29.00
N/A	MATE00243	A0840	N/A	Shims .010" - 10 pcs	\$16.00
N/A	MATE00244	A0841	N/A	Shims .003" - 10 pcs	\$16.00
N/A	MATE00245	A0842	N/A	Shims .005" - 10 pcs	\$16.00

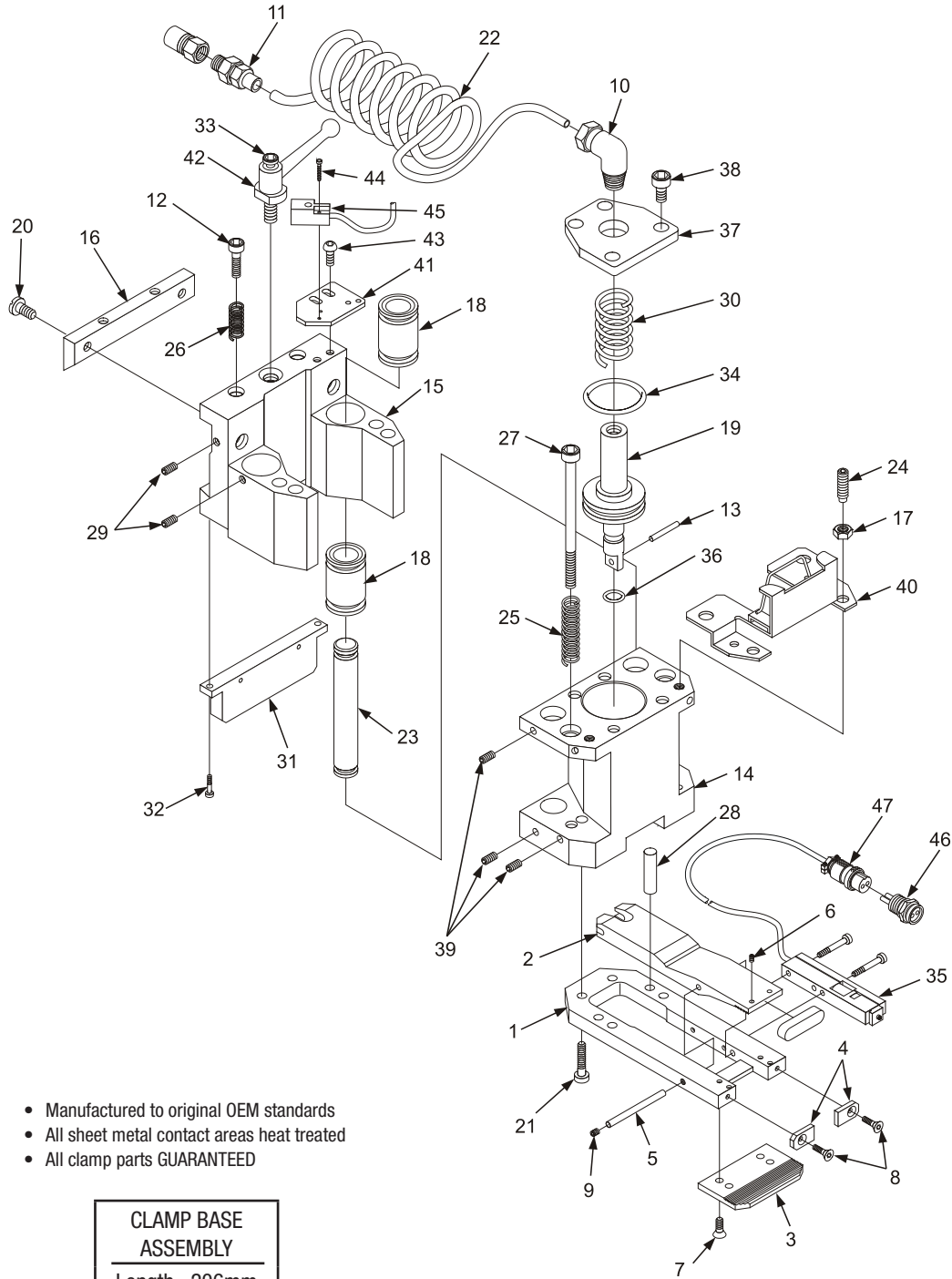
LASER CLAMP – APELIO AND PULSAR - 13mm



[Dimensions in Inches (mm)]

EM STYLE PNEUMATIC A0100-CA

EM STYLE PNEUMATIC A0100-CA



- Manufactured to original OEM standards
- All sheet metal contact areas heat treated
- All clamp parts GUARANTEED

CLAMP BASE ASSEMBLY	
Length	206mm
Width	80mm
Height	14mm



[Dimensions in Inches (mm)]

EM STYLE PNEUMATIC A0100-CA

API Drawing #	Mate Part #	API Part #	Amada Drawing #	Description	Price
1 to 9	MATE01905	A0200-CBA	74335908	Clamp Base Assembly	\$489.00
1 to 40	MATE01906	A0100-CA**	74415064**	Complete Clamp Assembly	\$1,899.00
1	MATE01907	A0300-B	826270	Clamp Base	\$299.00
2	MATE01908	A0400-CL	826270	Clamper	\$189.00
3	MATE01909	A0500-CP	826272	Clamp Plate	\$39.00
4	MATE00160	A0601-SP	816026	Stopper Plate	\$9.50
5	MATE00237	A0794	M6x60	Straight Pin	\$1.50
6	MATE01910	A0892	M5x6	Set Screw - 10 pcs - M5x6 - (Clamper Tip)	\$2.00
7	MATE01911	A0821	M6x12	Screw - 10 pcs - M6x12- (Clamp Plate)	\$3.00
8	MATE00242	A0832	M4x10	Screw - 10 pcs - M4x10- (Stopper Plate)	\$3.00
9	MATE00776	A0835	M8x8	Set Screw Cup - M8x8	\$0.40
10	MATE00777	A4155	Male Elbow	Male Elbow - 6mm	\$5.75
11	MATE00778	A4123	Male Connector	Male Connector - 6mm	\$6.90
12	MATE00779	A0887	N/A	Shoulder Bolt - M6	\$2.00
13	MATE00784	A0882	M5x30	Dowel Pin - M5	\$1.00
14	MATE01912	A0874	74335816	Clamp Body - Piston Side New Style Pneumatic	\$499.00
15	MATE00813	A0879	74335806	Clamp Body - Dove Tail Side New Style Pneumatic	\$499.00
16	MATE00783	A0881	N/A	Dove Tail Plate	\$44.00
17	MATE01913	A0819	P332000006	M10x1.5 - Jam Nut	\$3.00
18	MATE00814	A0862	N/A	Linear Bearing ST16B	\$24.99
19	MATE00805	A0620	8261848	Clamp Piston Pneumatic	\$375.00
20	MATE00787	A0875	N/A	Dove Tail Bolts	\$9.90
21	MATE00788	A0895	M8x25	Socket Head Cap Bolt - M8x25	\$1.00
22	MAE00876	A0876	N/A	6mm Coil Tubing	\$15.00
23	MATE00815	A0898	N/A	Steel Rod - 16mm x 120mm	\$18.00
24	MATE01914	A0820	M10x25	Half Dog Set Screw - M10x25	\$3.00
25	MATE00816	A0877	5033653	Clamp Spring	\$5.00
26	MATE00793	A0888	N/A	Spring 1-1/4"	\$3.00
27	MATE01915	A0884	M6x110	Socket Head Cap Bolt - M6x110	\$1.00
28	MATE00795	A0966	M10x24	Dowel Pin - M10x24	\$3.00
29	MATE01916	A0825	M4x6	Cone Point Set Screw - M4x6	\$2.00
30	MATE01917	A0846	74161330	Cylinder Spring	\$19.00
31	MATE01918	A0816	3909552	Override Block	\$89.00
32	MATE01919	A0894	M4x10	Socket Head Cap Bolt - M4x10	\$1.00
33	MATE00239	A0812	KR12x20	Clamp Lever - 12mm	\$29.00
34	MATE00819	A9234	P50a	O-Ring P50a	\$1.50
35	MATE01376	A0854	8635270D	EM Sheet Sensor Assy	\$329.00
36	MATE00820	A9220	P-12/P590000012	O-Ring P12	\$0.75
37	MATE01920	A0878	74335901	Cylinder Cap	\$150.00
38	MATE01921	A0849	M6x12	Socket Head Cap Head Bolt - M6x12	\$0.30
39	MATE00796	A0889	M6x6	Set Screws - M6x6 (pkg of 10)	\$3.00
40	MATE01922	A0817	6873680	Cable Bracket	\$89.00
41	MATE01923	A0818	6826888	EM Sensor Bracket	\$22.50
42	MATE01924	A0814	6826267	Dog EM Handle	\$59.00
43	MATE01925	A0822	M6x10	M6x10 - Button Head Screw	\$0.25
44	MATE01926	A0807	M3x14	M3x14 - Cap Head Screw	\$0.20
45	MATE01927	A6505	FL2R-4J6HD	Prox. Switch	\$76.00
46	MATE01377	A0863	74569255	Sheet Sensor Plug, Male	\$35.00
47	MATE01378	A0864	74569254	Sheet Sensor Plug, Female	\$35.00
N/A	MATE00238	A0811	KR10x20	Clamp Lever (steel) 10mm	\$29.00
N/A	MATE00243	A0840	N/A	Shims .010 - 10 pcs	\$16.00
N/A	MATE00244	A0841	N/A	Shims .003 - 10 pcs	\$16.00
N/A	MATE00245	A0842	N/A	Shims .005 - 10pcs	\$16.00
N/A		A0945	PLT-163-R	Pin Connector Male Plug	\$15.00
N/A		A0946	PLT-163-P	Pin Connector Female Plug	\$15.00

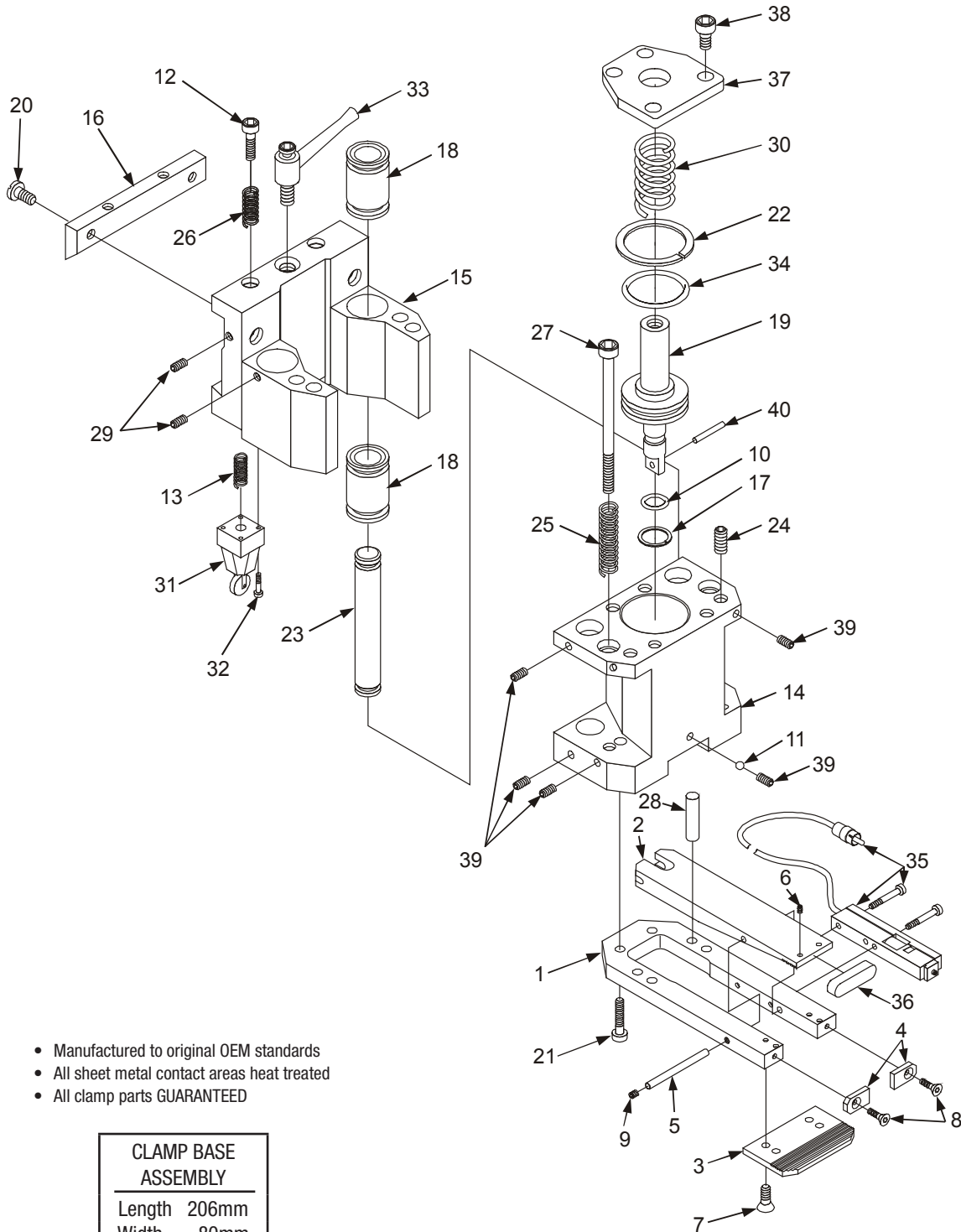
*Not available for OEM assembly, **excluding #35

[Dimensions in Inches (mm)]



NEW STYLE HYDRAULIC CLAMP A0107-INT

NEW STYLE HYDRAULIC CLAMP A0107-INT



- Manufactured to original OEM standards
- All sheet metal contact areas heat treated
- All clamp parts GUARANTEED

CLAMP BASE ASSEMBLY	
Length	206mm
Width	80mm
Height	14mm



[Dimensions in Inches (mm)]

NEW STYLE HYDRAULIC CLAMP A0107-INT

API Drawing #	Mate Part #	API Part #	Amada Drawing #	Description	Price
1 to 9	MATE00254	A0207-CBA	826193	Clamp Base Assembly	\$289.00
1-40**	MATE00836	A0107-INT**	826190	Complete clamp Assembly	\$1,399.00
1	MATE00255	A0307-B	826193	Clamp Base	\$155.00
2	MATE00256	A0407-CL	826194	Clamper	\$99.00
3	MATE00161	A0501-CP	816025	Clamp Plate	\$24.50
4	MATE00160	A0601-SP	816026	Stopper Plate	\$9.50
5	MATE00257	A0796	M8x60	Straight Pin	\$1.50
6	MATE00240	A0830	M5x6	Set Screw - 10 pcs - M5x6 (Clamper Tips)	\$3.00
7	MATE00241	A0831	M5x12	Screw - 10 pcs - M5x12 (Clamp Plate)	\$3.00
8	MATE00242	A0832	M4x10	Screw - 10 pcs - M4x10 (Stopper Plate)	\$3.00
9	MATE00837	A0836	M10x12	Set Screw Cup - M10x12	\$1.00
10		A9227	N/A	O-Ring P-22	\$0.99
11		A0865	N/A	3/16 Steel Ball	\$2.00
12	MATE00779	A0887	N/A	Shoulder Bolt - M6	\$2.00
13	MATE00780	A0891	N/A	Spring (Head cover)	\$3.00
14		A0872HN	N/A	Clamp Body - Piston Side New Style Hydraulic	\$499.00
15		A0879HN	N/A	Clamp Body - Dove Tail Side New Style Hydraulic	\$499.00
16	MATE00783	A0881	N/A	Dove Tail Plate	\$44.00
17		A8342	N/A	B/U Ring - T2-P22	\$4.00
18		A0751	N/A	Linear Bearing - ST16B	\$24.99
19		A0620HN	N/A	Clamp Piston Hydraulic	\$375.00
20	MATE00787	A0875	N/A	Dove Tail Bolts	\$9.90
21	MATE00788	A0895	N/A	Socket Head Cap Bolt - M8x25	\$1.00
22		A8341	N/A	B/U Ring - T2-P32	\$4.00
23		A0787	N/A	Steel Rod - 16mm x 120mm	\$15.00
24		A0848	N/A	Half Dog Set Screw - M10x12	\$0.45
25	MATE00816	A0877	N/A	Clamp Spring	\$5.00
26	MATE00793	A0888	N/A	Spring - 1-1/4"	\$3.00
27		A0902	N/A	Socket Head Cap Bolt - M6x100	\$1.00
28	MATE00795	A0966	N/A	Dowel Pin - M10x24	\$3.00
29	MATE00823	A0825	N/A	Cone Point Set Screw - M4x6	\$2.00
30		A0846HN	N/A	Cylinder Spring New Style Hydraulic	\$13.00
31	MATE00797	A0871	6WPH200-1	Head Cover	\$41.00
32		A0835	N/A	Socket Head Cap Bolt M4x20	\$0.30
33	MATE00239	A0812	KR12x20	Clamp Lever - 12mm	\$29.00
34		A9230	N/A	O-Ring P-32	\$0.99
35	MATE01375	A0855A	8635270D	Sheet Sensor Assy.	\$165.00
36	MATE00246	A0850	N/A	Urethane Boot (for clamper tip)	\$25.00
37		A0878HN	N/A	Cylinder Cap New Style Hydraulic	\$150.00
38		A0849	N/A	Socket Head Cap Head Bolt - M6x12	\$0.30
39	MATE00796	A0889	N/A	Set Screws - M6x6 (pkg 10)	\$3.00
40	MATE00841	A0873i	N/A	Dowel Pin - M8x30	\$3.00
N/A	MATE00844	A0805	2HS (1/4")	Coupler-Female	\$49.00
N/A	MATE00845	A0806	2HP (1/4")	Coupler-Male	\$21.90
N/A	MATE00238	A0811	KR10x30	Clamp Lever (steel) - 10mm	\$29.00
N/A	MATE00243	A0840	N/A	Shims .010 - (10 pcs)	\$16.00
N/A	MATE00244	A0841	N/A	Shims .003 - (10 pcs)	\$16.00
N/A	MATE00245	A0842	N/A	Shims .005 - (10 pcs)	\$16.00
N/A	MATE00846	A8200	74166005	Hydraulic Clamp Pump Unit	\$2,899.00

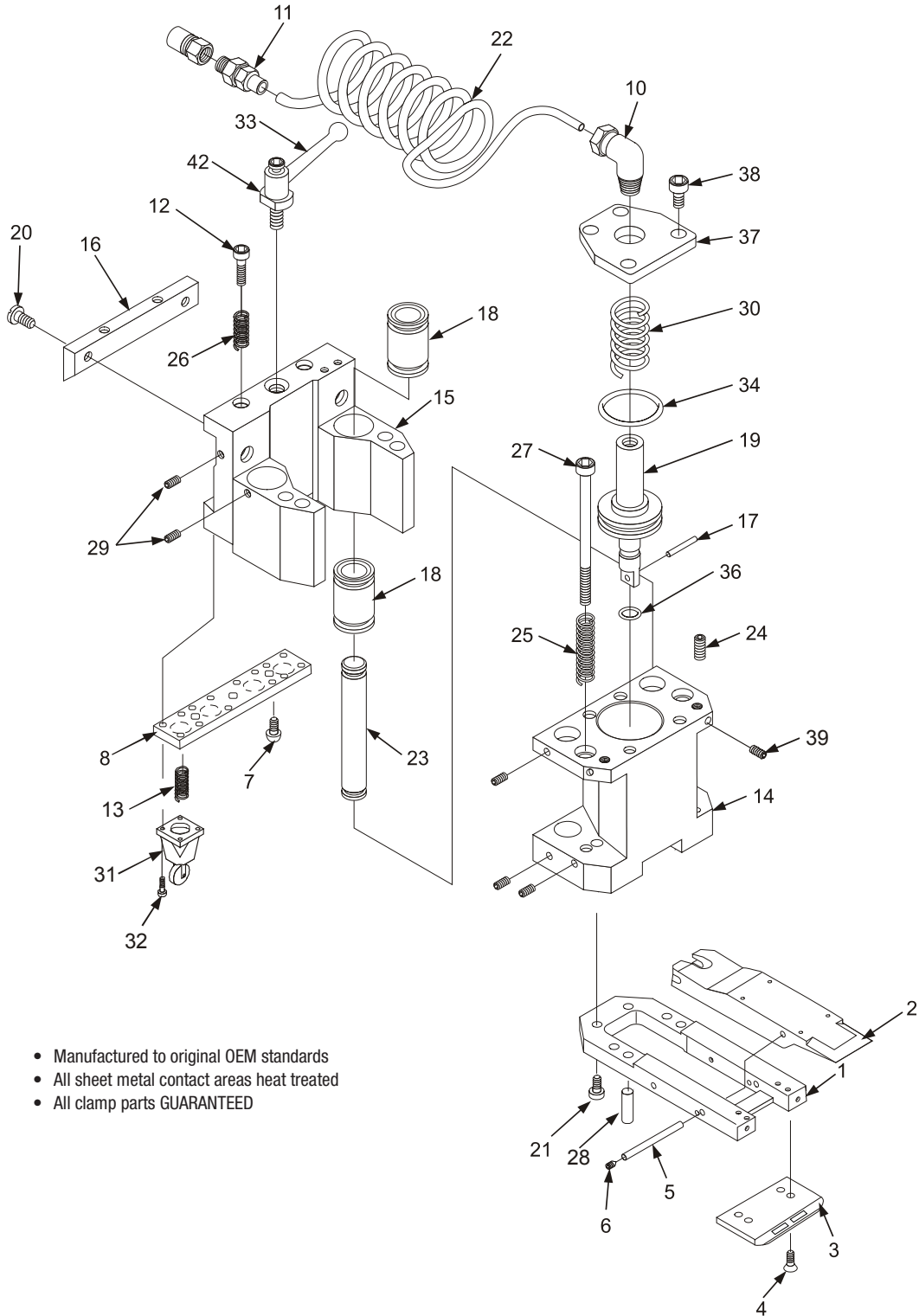
**excludes #35 & #36

[Dimensions in Inches (mm)]



LASER STEALTH PNEUMATIC

LASER STEALTH PNEUMATIC



- Manufactured to original OEM standards
- All sheet metal contact areas heat treated
- All clamp parts **GUARANTEED**



[Dimensions in Inches (mm)]

LASER STEALTH PNEUMATIC

33

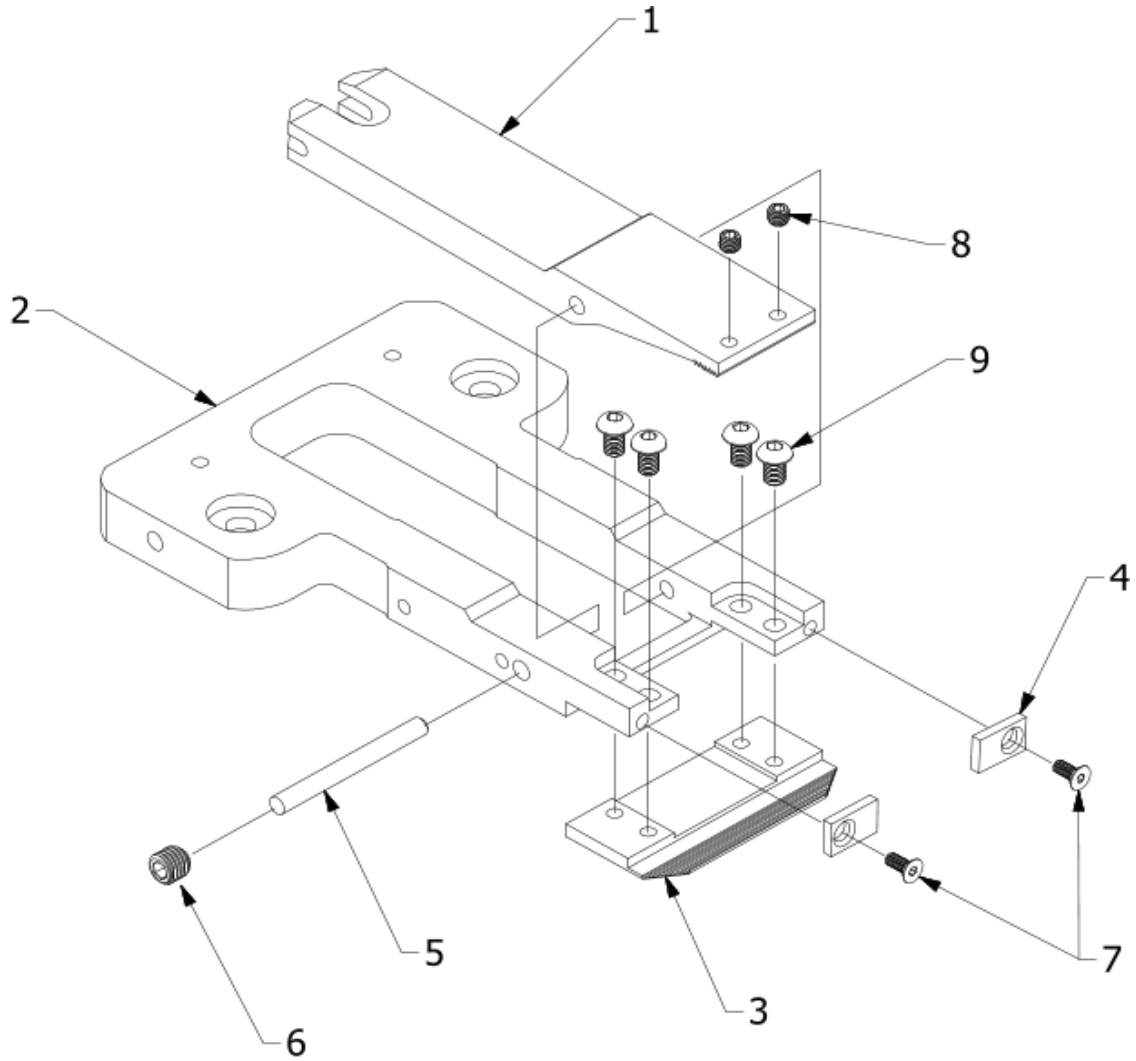
LASER STEALTH PNEUMATIC

API Drawing #	Mate Part #	API Part #	Amada Drawing #	Description	Price
1-6		A0211-CBA	74398083	Clamp Base Assembly - Stealth	\$549.00
1-34		A0111-CA	71398368	Complete Clamp Assembly - Stealth	\$1,399.00
1		A0312-B	1662497	Clamp Base	\$349.00
2		A0412-CL	1662498	Clamper	\$199.00
3		A0512-CP	1662499	Clamp Plate	\$55.00
4	MATE00241	A0831	M5x12	Screw - M5x12	\$1.00
5	MATE00237	A0794	M6x60	Straight Pin	\$1.50
6	MATE00776	A0835	M8x8	Set Screw - M8x8	\$0.40
7		A0828a	M6x20	Screw - M6x20 Button Head (pkg 10)	\$1.90
8		A0851	1662500	Head Spacer	\$325.00
10	MATE00777	A4155	KQL06-02S	Elbow	\$5.75
11	MATE00778	A4123	KQH06-02S	Connector	\$3.90
12	MATE00779	A0887	P338135015	Shoulder Bolt	\$3.00
13	MATE00780	A0891	N/A	Spring	\$3.00
14	MATE00812	A0874A	N/A	Clamp Body - Piston Side	\$499.00
15	MATE00813	A0879	N/A	Clamp Body - Dove Tail Side	\$499.00
16	MATE00783	A0881	816004	Dove Tail Plate	\$44.00
17	MATE00784	A0882	P337020028	Pin	\$1.00
18	MATE00814	A0862	N/A	Linear Bearing	\$24.99
19		A0622	N/A	Piston	\$375.00
20	MATE00787	A0875	816005	Bolt	\$9.90
21	MATE00788	A0895	N/A	Bolt	\$1.00
22	MATE00789	A0876	N/A	Coil Tubing	\$15.00
23	MATE00815	A0898	N/A	Rod	\$18.00
24	MATE00791	A0831B	P330570059	Set Screw - M6x8	\$0.50
25	MATE00816	A0877	826218	Spring	\$5.00
26	MATE00793	A0888	816006	Spring	\$3.00
27	MATE00718	A0839	P330223019	Bolt (pkg 10)	\$7.90
28	MATE00795	A0966	N/A	Pin	\$3.00
29	MATE00796	A0889	N/A	Set Screw - M6x6 - 10 pcs	\$3.00
30		A0846A	N/A	Spring	\$19.00
31	MATE00797	A0871	6WPH200-1	Head	\$41.00
32	MATE00798	A0890	N/A	Bolt - 10 pcs	\$3.00
33	MATE00239	A0812	KR12x20	Clamp Lever (Steel) - 12mm	\$29.00
34	MATE00819	A9234	P50A/P590000050	O-Ring	\$1.50
36	MATE00820	A9220	P-12/P590000012	O-Ring	\$0.75
37	MATE00821	A0878	74335901/0826188	Cylinder Cap	\$150.00
38	MATE00822	A0839q	N/A	M6x16 - Cap Head Screw (pkg 10)	\$7.90
39	MATE00823	A0825	N/A	M4x6 - Cone Point Set Screw (pkg 10)	\$3.00
N/A	MATE00800	A0803	20SM	Coupler-Female	\$11.90
N/A	MATE00801	A0804	20PF (1/4")	Coupler-Male	\$4.90
N/A	MATE00238	A0811	KR10x20	Clamp Lever - 10mm	\$29.00
N/A	MATE00243	A0840	N/A	Shims .010" - 10 pcs	\$16.00
N/A	MATE00244	A0841	N/A	Shims .003" - 10 pcs	\$16.00
N/A	MATE00245	A0842	N/A	Shims .005" - 10 pcs	\$16.00

[Dimensions in Inches (mm)]



AC/AE CLAMP



- Manufactured to original OEM standards
- All sheet metal contact areas heat treated
- All clamp parts **GUARANTEED**



[Dimensions in Inches (mm)]

AC/AE CLAMP

35

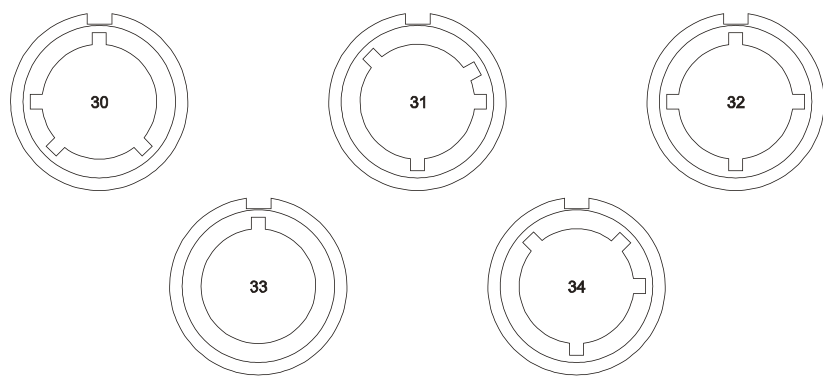
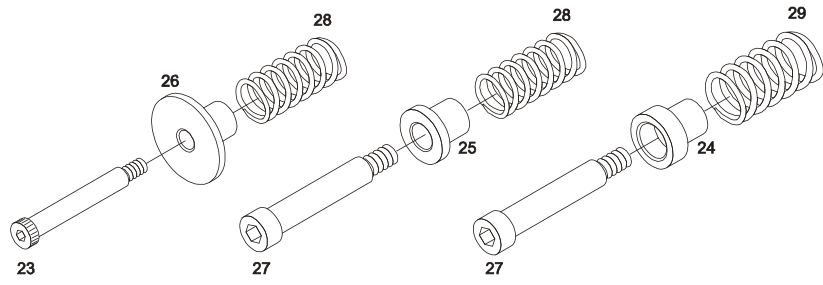
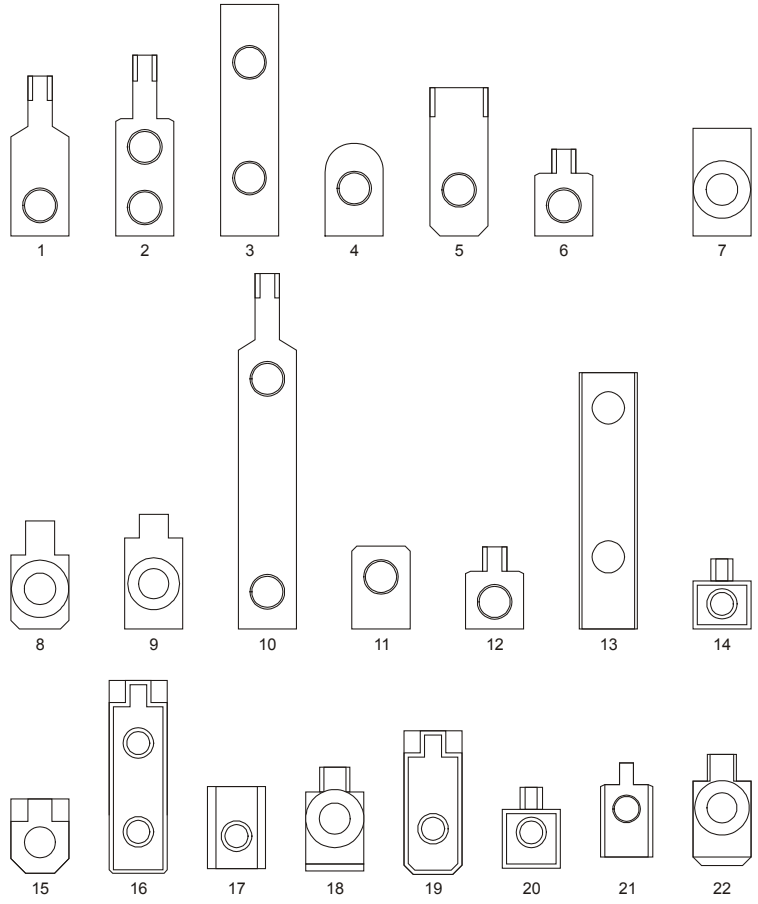
AC/AE CLAMP

API Drawing #	Mate Part #	API Part #	Amada Drawing #	Description	Price
1-9		A0213-CBA	74415832/6891263/6891295/6891296	Clamp Base Assembly - AC / AE	\$699.00
1		A0413-CL	74450267 / 6891297	Clamper - AC / AE	\$199.00
2		A0313-B	74450263 / 6891295	Clamp Base - AC / AE	\$375.00
3		A0513-CP	74450264 / 6891296	Clamp Plate - AC / AE	\$75.00
4		A0613-SP	74450265 / 6891298	Stopper Plate - AC / AE	\$40.00
5		A0794	74571118 / 826285	Straight Pin - M6x60	\$1.50
6	MATE00776	A0835	74722739	Set Screw Cup End -M8x8	\$0.40
7		A0894	N/A	Screw - M4x10	\$1.00
8	MATE01910	A0892	N/A	Set Screw - M5x6	\$0.07
9		A0828b	N/A	Button Head Screw - M6x10	\$0.30

[Dimensions in Inches (mm)]



TURRET PARTS



[Dimensions in Inches (mm)]

TURRET PARTS

API Drawing #	Mate Part #	API Part #	Amada Drawing #	Description	Price
N/A		A3094	N/A	Air Blow System	\$2,500.00
N/A		A3095	6010962	Octo Punch Holder - Auto Index (core exchange required)	\$5,800.00
N/A		A30951	6010141A	Octo Punch Holder (core exchange required)	\$5,800.00
N/A		A3110	74387447/7400913	Guide Key - 3 1/2"	\$34.00
N/A		A3111	74570129/6813167	Guide Key - 1 1/4" AI	\$49.00
N/A		A3112	74387446/7400912	Guide Key - 2"	\$39.00
N/A		A3113	74387445 /7400911b	Guide Key - 1 1/4"	\$49.00
N/A		A3114	7400915 /74561407	Guide Key - 1/2"	\$59.00
1	MATE00875	A3117	827263	Guide Key - 1/2", 1 1/4" Inner	\$ 19.00
2	MATE00876	A3118	5501007	Guide Key - 1/2", 1 1/4" Outer	\$19.00
3	MATE00877	A3119	5501050A	Guide Key - 2"	\$19.00
4	MATE00878	A3120	5501010	Guide Key - 3 1/2"	\$19.00
5	MATE00879	A3121	5501016A	Guide Key - 4 1/2"	\$19.00
6	MATE00880	A3122	822420	Guide Key - Auto Index	\$19.00
7	MATE00881	A3123	5500075	Guide Key - Thin Turret - 3 1/2"	\$19.00
		A3140	6045248 / 75413528	Aries - 3 1/2" Die key	\$45.00
8	MATE00222	A3141	488034C	Die Key - Thick Turret	\$19.00
9	MATE00883	A3142	5500125	Die Key - Thin Turret	\$19.00
10	MATE00884	A3116	5033504a	Guide Key - 1/2", 1 1/4" Octo	\$59.00
11	MATE00885	A3124	6532925	Guide Key - Auto Index 4 1/2" Vipros	\$24.00
12	MATE00886	A3125	828354	Guide Key - 1/2" Vipros	\$19.00
13		A3127	74165195	Guide Key - 2" Vipros 255	\$32.00
14		A3128	74569848	Guide Key - 1/2" -1 1/2" EM 30 Series	\$39.00
15		A3129	74569852	Guide Key - 3 1/2" EM 30 Series	\$45.00
16		A3130	75669850	Guide Key - 2 EM 30 Series	\$124.00
17		A3131	74312337	Guide Key - Lg. Station AI EM	\$32.90
18		A3132	74312340	Die Key - EM 30 Series	\$59.00
19		A3133	74561406	Guide Key - 4 1/2" EM 30 Series	\$65.00
20		A3134	74569849	Guide Key - 1/2" - 1 1/4" Vipros III	\$109.00
21		A3115	817218	Guide Key - 1/2" - 1 1/4" V255 / P 244	\$29.00
22		A3126	74399119	Die Key - 4 1/2" Auto Index	\$32.00
23	MATE00890	A3346	807121	Shoulder Bolt Thin - 1/2", 1 1/4", 2"	\$7.90
24	MATE00891	A3380	5501009	Lifter Ring	\$9.90
25	MATE00892	A3381	5500217	Lifter Ring	\$9.90
26	MATE00893	A3382	807122	Lifter Ring Thin	\$16.90
27	MATE00889	A3345	5501017C/807123	Shoulder Bolt Thick - 1/2", 1 1/4", 2", 3 1/2", 4 1/2"	\$11.90
28	MATE00887	A3261	827241	Lifter Spring - 1/2", 1 1/4", 2"	\$2.90
29	MATE00888	A3262	827240	Lifter Spring - 3 1/2", 4 1/2"	\$6.80
30		A3424	5500069	Thin Turret Guide Bushing - 0, 135, 225, 270	\$199.00
31		A3425	5500068	Thin Turret Guide Bushing - 45, 90, 180, 315	\$259.00
32		A3421	5500067	Thin Turret Guide Bushing - 0, 90, 180, 270	\$279.00
33		A3422	807045	Thin Turret Guide Bushing - 0	\$199.00
34		A3423	5500079	Thin Turret Guide Bushing - 60, 90, 180, 300	\$219.00
N/A	MATE00859	A0815	M16x50	Tool Assembly Jig Lever	\$49.00
N/A		A0827	N/A	Screw - M6xM16 - 10 pcs	\$3.00
N/A		A3135	5501010 / 74514122	3 1/2" Guide Key - Em25, AC2510	\$25.00
N/A		A3144	5500125B	Die Key - Thin Turret Octo	\$79.00
N/A		A3143	5033911C	Die Key - Octo	\$99.00
N/A		A3263	6571551a	Lifter Spring - 3 1/2" Vipros Auto Index	\$29.00
N/A		A3347	74569846/3204978	EM Shoulder Bolt	\$13.00

[Dimensions in Inches (mm)]



TURRET – DIE HOLDERS AND HARDWARE

API Drawing #	Mate Part #	API Part #	Amada Drawing #	Description	Price
N/A	MATE00948	A0830	M5x6	Set Screw (pkg of 10)	\$3.00
N/A	MATE00941	A0834a	M6x25	Cap Screw (pkg of 10)	\$1.90
N/A	MATE00940	A0837	M6x20	Cap Screw (pkg of 10)	\$1.90
N/A	MATE00937	A0966	D10x24	Dowel Pin	\$3.00
N/A		A3508	6145182	Die Holder & Spacer - ½" Vipros 255	\$739.00
N/A		A3509	N/A	Die Holder & Spacer - ½ - 1 ¼ Vipros 255	\$799.00
N/A		A3510	817202	Die Holder & Spacer - 3 ½" Vipros 255	\$799.00
N/A		A3511	6593715	Die Holder & Spacer - 2" Vipros 255	\$649.00
N/A	MATE00905	A3512	827106	Die Holder & Spacer - ½"	\$349.00
N/A	MATE00906	A3514a	827471	Die Holder Upper, Lower & Block - 1 1/4"- Center: 90 degree	\$890.00
N/A	MATE00907	A3514b	827094	Die Holder Upper, Lower & Block - 1 ¼"- Left: 90 degree	\$890.00
N/A	MATE00908	A3514c	827091	Die Holder Upper, Lower & Block - 1 ¼"- Right: 90 degree	\$890.00
N/A	MATE00909	A3515a	827108	Die Holder & Spacer - 1 ¼"- Center (old style outer keyed only)	\$409.00
N/A	MATE00910	A3516a	827156	Die Holder & Spacer - 1 ¼"- Left (old style outer keyed only)	\$409.00
N/A	MATE00911	A3517a	827155	Die Holder & Spacer - 1 ¼"- Right (old style outer keyed)	\$409.00
N/A	MATE00912	A3518a	802245a	Die Holder Auto Index -1 ¼"	\$279.00
N/A	MATE00913	A3521	827114	Die Holder & Spacer - 2"	\$479.00
N/A	MATE00914	A3522	827407	Die Holder & Spacer - 2" (next to auto index on 2Ai system)	\$729.00
N/A	MATE00915	A3524	827162	Die Holder & Spacer - 3 ½"	\$589.00
N/A	MATE00916	A3527	827123	Die Holder & Spacer - 4 ½"	\$599.00
N/A		A3528	822695/74399815	Die Holder & Spacer - 4 ½" EM2510	\$650.00
N/A		A3529	74379648/6532973	Die Spacer - 1 ¼" Al (4 ai system)	\$325.00
N/A	MATE00935	A3539	M6	Spring Washer	\$6.90
N/A	MATE00936	A3540	D8x20	Dowel Pin	\$3.00
N/A	MATE00938	A3541	M6x14	Set Screw (pkg of 10)	\$0.50
N/A	MATE00939	A3542	M8	Spring Washer	\$8.90
N/A	MATE00942	A3544	C-3S	Free Stroke Bearing	\$6.32
N/A	MATE00943	A3545	827018	Spring Clip	\$3.80
N/A	MATE00944	A3546	M4x8	Pan Head Machine Screw (pkg of 10)	\$1.60
N/A	MATE00945	A3547	M4	Washer (pkg of 10)	\$3.00
N/A	MATE00946	A3548	M8	Washer (pkg of 10)	\$3.00
N/A	MATE00947	A3549	827474	Screw - M10x40 Corner Bolt (for die holder)	\$15.00
N/A	MATE00949	A3550	AW24	Washer	\$6.90
N/A	MATE00950	A3551	AN24	Crown Nut	\$39.90
N/A		A3556	6595381	C5s Button Brush	\$21.00
N/A		A3557	C-5s	Free Bearing	\$12.00
N/A	MATE00917	A3560	827107	Die Spacer - ½"	\$99.00
N/A	MATE00918	A3561	827158	Die Spacer - 1 ¼"- Left	\$119.00
N/A	MATE00919	A3561a	827157	Die Spacer - 1 ¼"- Right	\$119.00
N/A	MATE00920	A3561b	827111	Die Spacer - 1 ¼"- Center	\$119.00



[Dimensions in Inches (mm)]

TURRET – DIE HOLDERS AND HARDWARE

API Drawing #	Mate Part #	API Part #	Amada Drawing #	Description	Price
N/A	MATE00921	A3562	827115F	Die Spacer - 2"	\$129.00
N/A	MATE00922	A3563	827163	Die Spacer - 3 ½"	\$179.00
N/A	MATE00923	A3564	827125	Die Spacer - 4 ½"	\$189.00
N/A		A3503	N/A	Vipros King - ½" Die holder assembly	\$1,280.00
N/A		A3504	N/A	Vipros King - 1 ¼" Die holder assembly	\$1,075.00
N/A		A3506	N/A	Vipros King - 2" D2 Die holder assembly	\$695.00
N/A		A3505	N/A	Vipros King - 2" D1 Die holder assembly	\$695.00
N/A		A3507	N/A	Vipros King - 3 ½" Die holder assembly	\$967.40



[Dimensions in Inches (mm)]





visit mate.com

MATE PRECISION TOOLING

WORLDWIDE HEADQUARTERS:

1295 Lund Boulevard, Anoka, Minnesota 55303 USA
Tel +1.763.421.0230 Fax +1.763.421.0285 mate.com

The Mate Logo is a registered trademark of Mate Precision Tooling Inc.
Amada Promecam is a registered trademark of Amada Europe Corporation